

**GENERAC®**

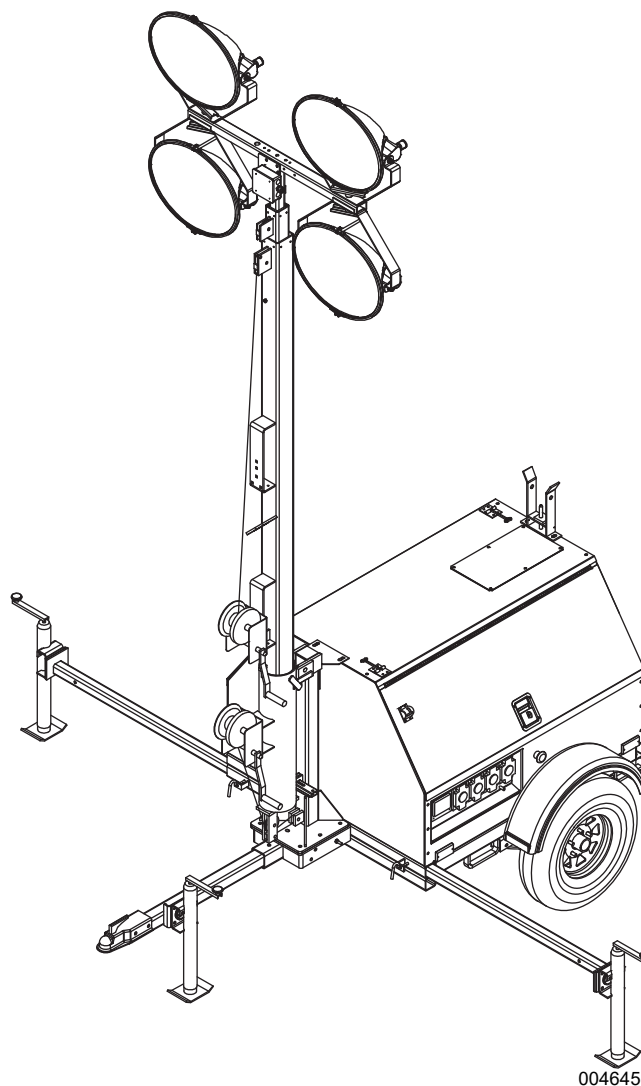
**MOBILE**

# *Owner's Manual*

## *Light Tower*

**MLT4150**

**SN 3004595385 and higher**



For technical assistance contact:

[www.generacmobile.com](http://www.generacmobile.com)

Technical Service

1-800-926-9768

***SAVE THIS MANUAL FOR FUTURE REFERENCE***

---

## Use this page to record important information about your light tower

|                      |  |
|----------------------|--|
| Unit Model No.       |  |
| Unit Serial No.      |  |
| Engine Model No.     |  |
| Engine Serial No.    |  |
| Generator Model No.  |  |
| Generator Serial No. |  |

Record the information found on your unit data label on this page. See unit serial number location ([Unit Serial Number Locations](#)). The label plate is affixed to the inside partition, to the left of the control panel console.

Engine and generator serial numbers are located on separate data plates affixed to the engine and generator.

When contacting a Generac Mobile Authorized Service Dealer (GMASD) about parts and service, supply the complete model number and serial number of the unit.

**Operation and Maintenance:** Proper maintenance and care of the light tower ensures a minimum number of problems and keeps operating expenses at a minimum. It is the operator's responsibility to perform all safety checks, to verify that all maintenance for safe operation is performed promptly, and to have the equipment checked periodically by a GMASD. Normal maintenance, service and replacement of parts are the responsibility of the owner or operator and, as such, are not considered defects in materials or workmanship within the terms of the warranty. Individual operating habits and usage may contribute to the need for additional maintenance or service.

 **WARNING**

**CANCER AND REPRODUCTIVE HARM**

[www.P65Warnings.ca.gov](http://www.P65Warnings.ca.gov)

(000393a)

 **WARNING**

Breathing diesel engine exhaust exposes you to chemicals known to the State of California to cause cancer and birth defects or other reproductive harm.

- Always start and operate the engine in a well-ventilated area.
- If in an enclosed area, vent the exhaust to the outside.
- Do not modify or tamper with the exhaust system.
- Do not idle the engine except as necessary.

For more information go to

[www.P65Warnings.ca.gov/diesel](http://www.P65Warnings.ca.gov/diesel). (000394)

# Table of Contents

## **Section 1: Introduction and Safety**

|   |   |
|---|---|
| <b>Introduction</b> .....                     | 1 |
| Read This Manual Thoroughly .....             | 1 |
| How to Obtain Service .....                   | 1 |
| <b>Safety Rules</b> .....                     | 1 |
| <b>General Hazards</b> .....                  | 2 |
| <b>Explosion and Fire Hazards</b> .....       | 2 |
| <b>Trailer Hazards</b> .....                  | 2 |
| <b>Electrical Hazards</b> .....               | 3 |
| <b>Battery Hazards</b> .....                  | 3 |
| <b>Fuel Hazards</b> .....                     | 4 |
| <b>Engine Safety</b> .....                    | 4 |
| <b>Operating Safety</b> .....                 | 4 |
| Positioning the Unit .....                    | 4 |
| Starting the Unit .....                       | 4 |
| Raising and Lowering the Mast .....           | 5 |
| <b>Service Safety</b> .....                   | 5 |
| <b>Towing Safety</b> .....                    | 6 |
| Hitch and Coupling .....                      | 6 |
| Running Lights .....                          | 6 |
| Wheels and Tires .....                        | 6 |
| Safe Towing Techniques .....                  | 6 |
| <b>Reporting Trailer Safety Defects</b> ..... | 6 |

## **Section 2: General Information**

|   |    |
|---|----|
| <b>Specifications</b> .....               | 7  |
| <b>Unit Dimensions</b> .....              | 8  |
| <b>Unit Serial Number Locations</b> ..... | 9  |
| <b>Component Locations</b> .....          | 10 |
| <b>Control Panel</b> .....                | 11 |
| (A) Circuit Breaker Indicator Light ..... | 11 |
| (B) Main Circuit Breaker .....            | 11 |
| (C) Light Switches .....                  | 11 |
| (D) Ballast Indicator Lights .....        | 11 |
| (E) Ignition Key Switch .....             | 11 |
| (F) Glow Plug Indicator .....             | 11 |
| (G) Hour Meter .....                      | 11 |

## **Section 3: Operation**

|                                 |    |
|---------------------------------|----|
| <b>Unit Set-Up</b> .....        | 13 |
| <b>Prestart Checklist</b> ..... | 14 |
| <b>Raising the Mast</b> .....   | 14 |

|   |    |
|---|----|
| <b>Emergency Stop Switch</b> .....              | 15 |
| <b>Starting the Unit</b> .....                  | 15 |
| <b>Automatic Shutdown</b> .....                 | 16 |
| <b>Light Operation</b> .....                    | 16 |
| <b>Auxiliary Outlets</b> .....                  | 17 |
| <b>Wet Stacking</b> .....                       | 17 |
| <b>Voltage Regulator</b> .....                  | 17 |
| <b>Engine Derating</b> .....                    | 17 |
| <b>Shutting Down the Unit</b> .....             | 18 |
| <b>Lowering Mast</b> .....                      | 18 |
| <b>Removing Lights for Transportation</b> ..... | 18 |
| <b>Towing the Unit</b> .....                    | 19 |
| <b>Lifting the Unit</b> .....                   | 19 |

## **Section 4: Maintenance**

|   |    |
|---|----|
| <b>Emissions Information</b> .....  | 21 |
| <b>Daily Walk-Around Inspection</b> .....                                 | 21 |
| <b>General Maintenance</b> .....  | 21 |
| Preparing for Service .....   | 21 |
| Cleaning the Unit .....   | 21 |
| Inspecting the Unit .....   | 21 |
| <b>Basic Maintenance Schedule</b> .....                                   | 22 |
| <b>Winch Use, Operation, and Maintenance</b> .....                        | 24 |
| Prior to Use .....  | 24 |
| Operation .....   | 24 |
| Raising the Mast .....  | 24 |
| Lowering the Mast .....   | 24 |
| Maintenance .....   | 24 |
| <b>Lower Radiator Hose Heater (If Equipped)—Use and Maintenance</b> ..... | 25 |
| <b>Trailer Wheel Bearings</b> .....                                       | 25 |
| <b>Jack Maintenance</b> .....   | 25 |

## **Section 5: Troubleshooting**

|   |    |
|---|----|
| <b>General Troubleshooting</b> .....    | 27 |
| <b>Troubleshooting the Lights</b> ..... | 28 |

## **Section 6: Wiring Diagrams**

|  |    |
|--|----|
| <b>Mast Junction Box Wiring and Light Connections</b> .. | 29 |
| <b>AC Wiring</b> .....                                   | 30 |
| <b>AC Wiring—Receptacle Panel</b> .....                  | 31 |

---

|   |           |
|---|-----------|
| <b>AC Wiring—Receptacle Panel Options (If Equipped)</b><br><b>(1 of 2).....</b> | <b>32</b> |
| <b>AC Wiring—Receptacle Panel Options (If Equipped)</b><br><b>(2 of 2).....</b> | <b>33</b> |
| <b>DC Wiring .....</b>  | <b>34</b> |
| <b>DC Wiring—Options (If Equipped) .....</b>                                    | <b>35</b> |
| <b>Trailer Lights.....</b>  | <b>36</b> |

# Section 1: Introduction and Safety

---

## Introduction

Thank you for purchasing a Generac Mobile product. This unit has been designed to provide high performance, efficient operation, and years of use when maintained properly.

The information in this manual is accurate based on products produced at the time of publication. The manufacturer reserves the right to make technical updates, corrections, and product revisions at any time without notice.

## Read This Manual Thoroughly



Consult Manual. Read and understand manual completely before using product. Failure to completely understand manual and product could result in death or serious injury. (000100a)

If any section of the manual is not understood, contact your nearest GMASD, or contact Generac Mobile Technical Service at 1-800-926-9768 or [www.generacmobileproducts.com](http://www.generacmobileproducts.com) with any questions or concerns.

The owner is responsible for proper maintenance and safe use of the equipment. Comply with regulations the Occupational Safety and Health Administration (OSHA) has established, or with equivalent standards. Also, verify that the unit is applied, used, and maintained in accordance with the manufacturer's instructions and recommendations. Do nothing that might alter safe application/usage and render the unit in noncompliance with the aforementioned codes, standards, laws, and regulations.

Save these instructions for future reference. This manual contains important instructions for the unit that should be followed during setup, operation and maintenance of the unit and battery. ALWAYS supply this manual to any individual that will use this machine.

## How to Obtain Service

When the unit requires servicing or repairs, contact a GMASD for assistance. Service technicians are factory-trained and are capable of handling all service needs. For assistance locating a dealer, go to [www.generacmobileproducts.com/parts-service/find-service](http://www.generacmobileproducts.com/parts-service/find-service). When contacting a GMASD about parts and service, always supply the complete model number and serial number of the unit as given on its data decal located on the unit. Record the model number and serial numbers in the spaces provided on the inside front cover of this manual.

## Safety Rules

The manufacturer cannot anticipate every possible circumstance that might involve a hazard. The warnings in this manual, and on tags and decals affixed to the unit are, therefore, not all inclusive. If using a procedure, work method or operating technique that the manufacturer does not specifically recommend, verify that it is safe for others. Also make sure the procedure, work method or operating technique utilized does not render the equipment unsafe.

Throughout this publication, and on tags and decals affixed to the unit, DANGER, WARNING, CAUTION and NOTE blocks are used to alert personnel to special instructions about a particular operation that may be hazardous if performed incorrectly or carelessly. Observe them carefully. Their definitions are as follows:



Indicates a hazardous situation which, if not avoided, will result in death or serious injury.

(000001)



Indicates a hazardous situation which, if not avoided, could result in death or serious injury.

(000002)



Indicates a hazardous situation which, if not avoided, could result in minor or moderate injury.

(000003)

**NOTE:** Notes contain additional information important to a procedure and will be found within the regular text of this manual.

These safety alerts cannot eliminate the hazards that they indicate. Common sense and strict compliance with the special instructions while performing the action or service are essential to preventing accidents.

## General Hazards



### **⚠ DANGER**

Asphyxiation. Running engines produce carbon monoxide, a colorless, odorless, poisonous gas. Carbon monoxide, if not avoided, will result in death or serious injury. (000103)



### **⚠ WARNING**

Hearing Loss. Hearing protection is recommended when using this machine. Failure to wear hearing protection could result in permanent hearing loss. (000107)



### **⚠ WARNING**

Moving Parts. Keep clothing, hair, and appendages away from moving parts. Failure to do so could result in death or serious injury. (000111)



### **⚠ WARNING**

Hot Surfaces. When operating machine, do not touch hot surfaces. Keep machine away from combustibles during use. Hot surfaces could result in severe burns or fire. (000108)

### **⚠ WARNING**

Risk of injury. Do not operate or service this machine if not fully alert. Fatigue can impair the ability to service this equipment and could result in death or serious injury. (000215)



### **⚠ WARNING**

Risk of burns. Allow engine to cool before draining oil or coolant. Failure to do so could result in death or serious injury. (000139)

## Explosion and Fire Hazards



### **⚠ DANGER**

Explosion and Fire. Fuel and vapors are extremely flammable and explosive. Add fuel in a well ventilated area. Keep fire and spark away. Failure to do so will result in death or serious injury. (000105)



### **⚠ WARNING**

Risk of Fire. Unit must be positioned in a manner that prevents combustible material accumulation underneath. Failure to do so could result in death or serious injury. (000147)



### **⚠ WARNING**

Risk of Fire. Hot surfaces could ignite combustibles, resulting in fire. Fire could result in death or serious injury. (000110)

## Trailer Hazards

### **⚠ WARNING**

Personal injury. Trailer must be securely coupled to the hitch with the chains correctly attached. Uncoupled or unchained towing could result in death or serious injury. (000233a)

### **⚠ WARNING**

Personal injury. Do not operate unit during transport. Doing so could result in death, serious injury, or property damage. (000231a)

### **⚠ WARNING**

Crushing hazard. Verify unit is properly secured and on level ground. An unsecured unit can suddenly roll or move, causing death or serious injury. (000234a)

### **⚠ WARNING**

Property or Equipment Damage. Tighten wheel lug nuts after first 50 miles to factory specifications. Failure to do so could result in death, serious injury, property or equipment damage. (000235)

## Electrical Hazards



**⚠ DANGER**

Electrocution. In the event of electrical accident, immediately shut power OFF. Use non-conductive implements to free victim from live conductor. Apply first aid and get medical help. Failure to do so will result in death or serious injury. (000145)



**⚠ DANGER**

Electrocution. Water contact with a power source, if not avoided, will result in death or serious injury.

(000104)



**⚠ DANGER**

Electrocution. Contact with bare wires, terminals, and connections while generator is running will result in death or serious injury.

(000144)



**⚠ DANGER**

Electrocution. Verify electrical system is properly grounded before applying power. Failure to do so will result in death or serious injury.

(000152)



**⚠ DANGER**

Electrocution. Do not wear jewelry while working on this equipment. Doing so will result in death or serious injury.

(000188)



**⚠ DANGER**

Electrocution. DO NOT use the unit if electrical cord is cut or worn through. Doing so will result in death or serious injury.

(000263a)

## Battery Hazards



**⚠ DANGER**

Electrocution. Do not wear jewelry while working on this equipment. Doing so will result in death or serious injury.

(000188)



**⚠ WARNING**

Explosion. Batteries emit explosive gases while charging. Keep fire and spark away. Wear protective gear when working with batteries. Failure to do so could result in death or serious injury.

(000137a)



**⚠ WARNING**

Explosion. Do not dispose of batteries in a fire. Batteries are explosive. Electrolyte solution can cause burns and blindness. If electrolyte contacts skin or eyes, flush with water and seek immediate medical attention.

(000162)



**⚠ WARNING**

Risk of burn. Do not open or mutilate batteries. Batteries contain electrolyte solution which can cause burns and blindness. If electrolyte contacts skin or eyes, flush with water and seek immediate medical attention.

(000163a)

**⚠ WARNING**

Environmental Hazard. Always recycle batteries at an official recycling center in accordance with all local laws and regulations. Failure to do so could result in environmental damage, death, or serious injury. (000228)

Always recycle batteries in accordance with local laws and regulations. Contact your local solid waste collection site or recycling facility to obtain information on local recycling processes. For more information on battery recycling, visit the Battery Council International website at: <http://batteryCouncil.org>

## Fuel Hazards



### ⚠ DANGER

Explosion and fire. Fuel and vapors are extremely flammable and explosive. No leakage of fuel is permitted. Keep fire and spark away. Failure to do so will result in death or serious injury. (000192)



### ⚠ DANGER

Risk of fire. Allow fuel spills to completely dry before starting engine. Failure to do so will result in death or serious injury. (000174)

- **DO NOT** fill fuel tank near an open flame, while smoking, or while engine is running. **DO NOT** fill tank in an enclosed area with poor ventilation.
- **DO NOT** operate with the fuel tank cap loose or missing.

## Engine Safety

Internal combustion engines present special hazards during operation and fueling. Failure to follow the safety guidelines described below could result in severe injury or death. Read and follow all safety alerts described in the engine operator's manual. A copy of this manual was supplied with the unit when it was shipped from the factory.

- **DO NOT** run engine indoors or in an area with poor ventilation. Make sure engine exhaust cannot seep into closed rooms or ventilation equipment.
- **DO NOT** clean air filter with gasoline or other types of low flash point solvents.
- **DO NOT** operate the unit without a functional exhaust system.
- Shut the engine down if any of the following conditions exist during operation:
  - Noticeable change in engine speed.
  - Loss of electrical output.
  - Equipment connected to the unit overheats.
  - Sparking occurs.
  - Engine misfires or there is excessive engine/generator vibration.
  - Protective covers are loose or missing.
  - Ambient air temperature is above 120°F (49°C).

## Operating Safety

### Positioning the Unit



### ⚠ DANGER

High Voltage. Verify area above unit is clear of overhead wires and obstructions. Contact with high-voltage power lines will result in death or serious injury. (000260a)



### ⚠ WARNING

Burn hazard. Never operate lights with a damaged or missing lens cover. Lamps are hot and pressurized while in use. Unprotected lamps can shatter, causing severe injury. (000277)

- The area immediately surrounding the unit should be dry, clean, and free of debris.
- Position and operate the unit on a firm, level surface.
- If the unit is equipped with a frame grounding stud, follow the National Electrical Code (NEC), state, and local regulations when connecting.

### Starting the Unit



### ⚠ DANGER

Electrocution. **DO NOT** use the unit if electrical cord is cut or worn through. Doing so will result in death or serious injury. (000263a)

### ⚠ WARNING

Equipment damage. Do not attempt to start or operate a unit in need of repair or scheduled maintenance. Doing so could result in serious injury, death, or equipment failure or damage. (000291)



## Raising and Lowering the Mast



### ⚠️ WARNING

Electrocution. Do not set up or operate this unit if severe weather is expected. Lightning strikes can kill or cause severe injury even if you are not touching the unit. (000296)



> 60 mph

### ⚠️ WARNING

Do not set up the unit if high winds are expected. High winds can cause the unit to tip or fall, causing severe injury or machine damage. (000297)

### ⚠️ WARNING

Personal injury or equipment damage. Do not raise or lower the mast while the unit is operating. Doing so can break the lenses and cause the lamps to shatter. (000279)

### ⚠️ WARNING

Personal Injury. Stop immediately if the mast hangs up or the winch cable develops slack. Excess slack could cause the mast to collapse, resulting in personal injury or equipment damage. (000265)

### ⚠️ WARNING

Tipping hazard. Extend the outriggers and level the unit before raising the mast. Keep the outriggers extended while the mast is up. Failure to do so could cause the unit to tip and fall and could result in death or serious injury. (000266)



### ⚠️ WARNING

Burn hazard. Lamps become extremely hot while in use. Allow 10–15 minutes for cooling before handling or lowering mast. Touching a hot lens or fixture can cause severe burns. (000278)

- Keep area around the unit clear of people while raising and lowering the mast.
- **ALWAYS** lower the mast when not in use.
- The tower extends up to 25 ft (7.4 m). Make sure area above trailer is open and clear of overhead wires and obstructions.
- If for any reason any part of mast hangs up or winch cable develops slack while raising or lowering tower, STOP immediately! Contact a GMASD.
- **NEVER** remove safety pin or pull mast locking pin while tower is up.

## Service Safety

This unit uses high voltage circuits capable of causing serious injury or death. Only a qualified and licensed electrician should troubleshoot or repair problems occurring in this equipment.

- Before servicing the unit, verify the Control Power switch and circuit breakers are in the OFF (O) position, and the negative (-) terminal on the battery is disconnected. **DO NOT** perform even routine service (oil/filter changes, cleaning, etc.) unless all electrical components are shut down.
- **ALWAYS** use extreme caution when servicing this unit in damp conditions. Do not service the unit if your skin or clothing is wet. Do not allow water to collect around the base of the unit.
- **DO NOT** wash the unit with high pressure hoses, power washers, or steam cleaners. Water may collect in the unit, causing damage to electrical parts.
- Replace all missing and hard to read decals. Decals provide important operating instructions and warn of dangers and hazards.
- Wear heavy leather gloves when handling winch cables. Never let cables slip through bare hands.
- Only use mild soap and water to clean the lens covers. Other chemicals may damage the lens covers.
- Make sure slings, chains, hooks, ramps, jacks and other types of lifting devices are attached securely and have enough weight-bearing capacity to lift or hold the equipment safely. Always remain aware of the position of other people around you when lifting the equipment.

## Towing Safety

Towing a trailer requires care. Both the trailer and vehicle must be in good condition and securely fastened to each other to reduce the possibility of an accident. Some states require that large trailers be registered and licensed. Contact your local Department of Transportation office to check on license requirements for your particular unit.

### Hitch and Coupling

- Verify the hitch and coupling on the towing vehicle are rated equal to, or greater than, the trailer's Gross Vehicle Weight Rating (GVWR).
- Verify the trailer hitch and the coupling are compatible. Make sure the coupling is securely fastened to the vehicle.
- **DO NOT** tow trailer using defective parts. Inspect the hitch and coupling for wear or damage.
- Connect safety chains in a crossing pattern under the tongue.
- Before towing the trailer, verify that the weight of the trailer is equal across all tires. On trailers with adjustable height hitches, adjust the angle of the trailer tongue to keep the trailer as level as possible.
- Attach the breakaway cable to the rear bumper of the towing vehicle.

### Running Lights

Verify directional and brake lights on the trailer are connected and working properly

### Wheels and Tires

- Check trailer tires for wear and proper inflation.
- Verify wheel lug nuts are present and tightened to the specified torque.

### Safe Towing Techniques

- Practice turning, stopping and backing up in an area away from heavy traffic prior to transporting the unit.
- Maximum recommended speed for highway towing is 45 mph (72 km/h). Recommended off-road towing speed is 10 mph (16 km/h) or less, depending on terrain.
- When towing, maintain extra space between vehicles and avoid soft shoulders, curbs and sudden lane changes.

## Reporting Trailer Safety Defects

If you believe your trailer has a defect which could cause a crash or could cause injury or death, you should immediately inform the National Highway Traffic Safety Administration (NHTSA) in addition to notifying Generac Mobile Products LLC.

If NHTSA receives similar complaints, it may open an investigation; and if it finds that a safety defect exists in a group of vehicles, it may order a recall and remedy campaign. However, NHTSA cannot become involved in an individual problem between you, your dealer, or Generac Mobile Products LLC.

To contact NHTSA, you may either call the Auto Safety Hotline toll-free at 1-888-327-4236 (TTY:1-800-424-9153), go to <http://www.safercar.gov>; or write to:

Administrator  
NHTSA  
1200 New Jersey Avenue S.E.  
Washington, DC 20590

You can also obtain other information about motor vehicle safety from <http://www.safercar.gov>.

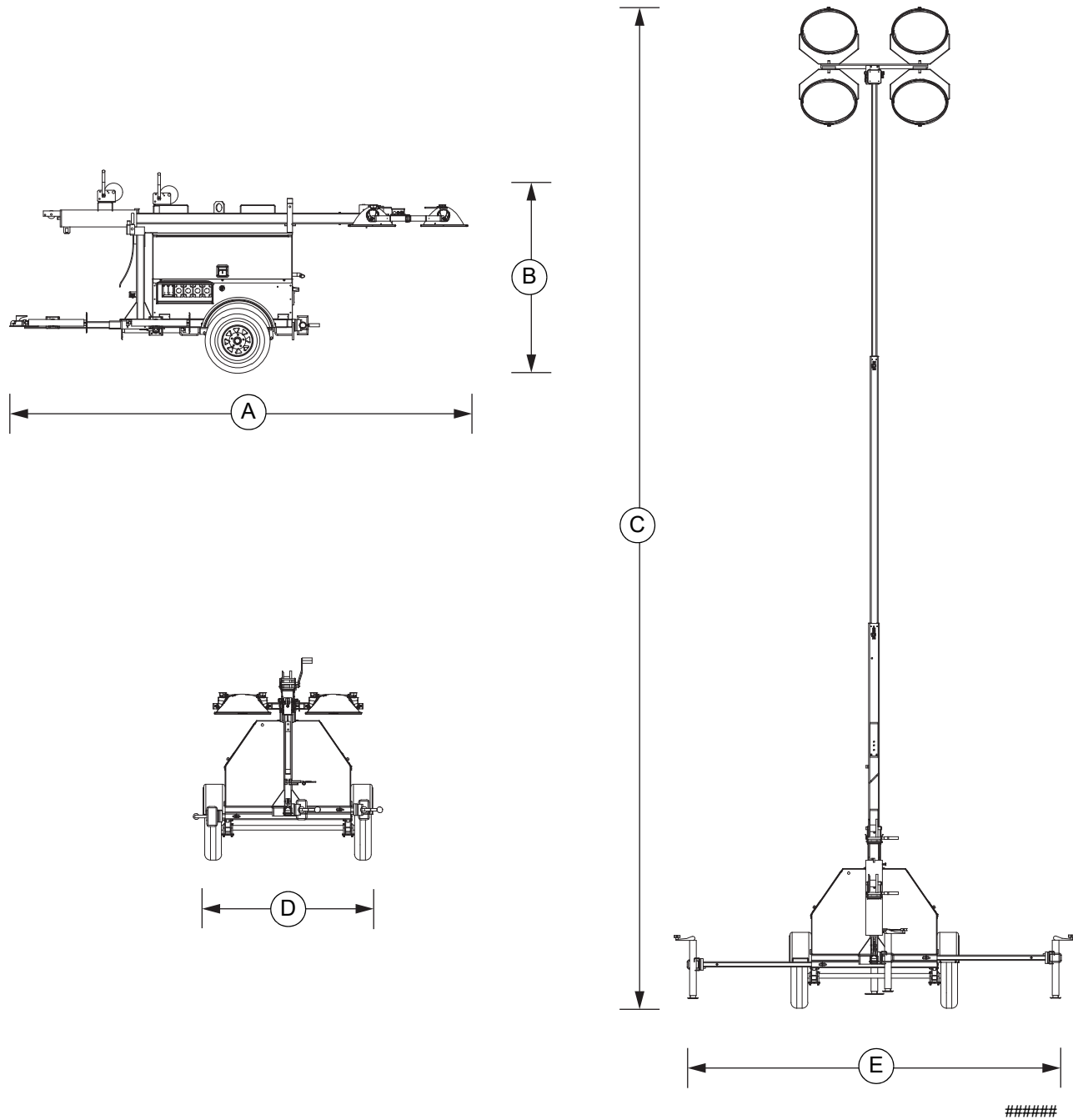
# Section 2: General Information

## Specifications

| Description                             | Unit of Measure     | MLT4150                         |
|---|---------------------|---------------------------------|
| <b>Engine</b>                           |                     |                                 |
| Make (Model)                            | —                   | Mitsubishi® (S4L2)              |
| Cylinders                               | qty                 | 4                               |
| Displacement                            | in <sup>3</sup> (L) | 107.3 (1.76)                    |
| Horsepower—Prime                        | hp (kW)             | 22.4 (16.7)                     |
| Horsepower—Standby                      | hp (kW)             | 24.3 (18.1)                     |
| Operating Speed                         | rpm                 | 1,800                           |
| Fuel Consumption—100% load              | gph (Lph)           | 1.35 (5.1)                      |
| EPA Certification                       | Tier                | 4 Final                         |
| Battery—Group Number                    | —                   | 24                              |
| Battery—Voltage (Quantity of Batteries) | VDC (qty)           | 12 (1)                          |
| Battery—Rating                          | CCA                 | 720                             |
| <b>Capacities</b>                       |                     |                                 |
| Fuel Tank—Total                         | gal (L)             | 57.1 (216)                      |
| Fuel Tank—Usable                        | gal (L)             | 56.4 (213)                      |
| Coolant—Incl. Engine                    | qt (L)              | 11.6 (11.0)                     |
| Oil—Incl. Filter                        | qt (L)              | 8.5 (8.0)                       |
| <b>Generator</b>                        |                     |                                 |
| Make (Model)                            | —                   | Marathon Electric® (333CSA3024) |
| Type, Insulation                        | —                   | Brushless, F                    |
| Output                                  | kW (kVA)            | 15.0 (15.0)                     |
| Output—Voltage                          | V                   | 120/240 (1Ø)                    |
| Output—Amperes <b>120V (240V)</b>       | A                   | 125 (63)                        |
| Frequency                               | Hz                  | 60                              |
| Power Factor (1Ø)                       | —                   | 1                               |
| Sound (23 ft At Prime)                  | dB(A)               | 71                              |
| <b>AC Distribution</b>                  |                     |                                 |
| Circuit Breaker Size                    | A                   | 70                              |
| Voltage Regulation                      | —                   | ±1%                             |
| Voltages Available (1Ø)                 | —                   | 120, 240                        |
| <b>Lighting</b>                         |                     |                                 |
| Lighting Type                           | —                   | Metal Halide                    |
| Ballast Type                            | —                   | Coil & Core                     |
| Brightness                              | lm                  | 528,000                         |
| <b>Trailer</b>                          |                     |                                 |
| Axles                                   | qty                 | 1                               |
| Per-Axle Rating                         | lb (kg)             | 3,000 (1,361)                   |
| Hitch                                   | size, type          | 2 in (51 mm), ball              |
| Tire Size                               | in (cm)             | 15 (38.1)                       |
| Maximum Tire Pressure                   | psi (kPA)           | 50 (345)                        |
| <b>Unit Weight</b>                      |                     |                                 |
| Dry                                     | lb (kg)             | 2,080 (943)                     |
| Operating                               | lb (kg)             | 2,365 (1,073)                   |

*Specifications are subject to change without notice.*

# Unit Dimensions



**Figure 2-1. Unit Dimensions**

| A               | B              | C              | D              | E               |
|-----------------|----------------|----------------|----------------|-----------------|
| 170 in (4.32 m) | 70 in (1.78 m) | 30 ft (9.14 m) | 68 in (1.73 m) | 140 in (3.56 m) |

*Specifications are subject to change without notice.*

# Unit Serial Number Locations

Refer to the illustration to locate the unit ID tag and Vehicle Identification Number (VIN) tag on the unit. Important information, such as the unit serial number, model number, VIN and tire loading information are found

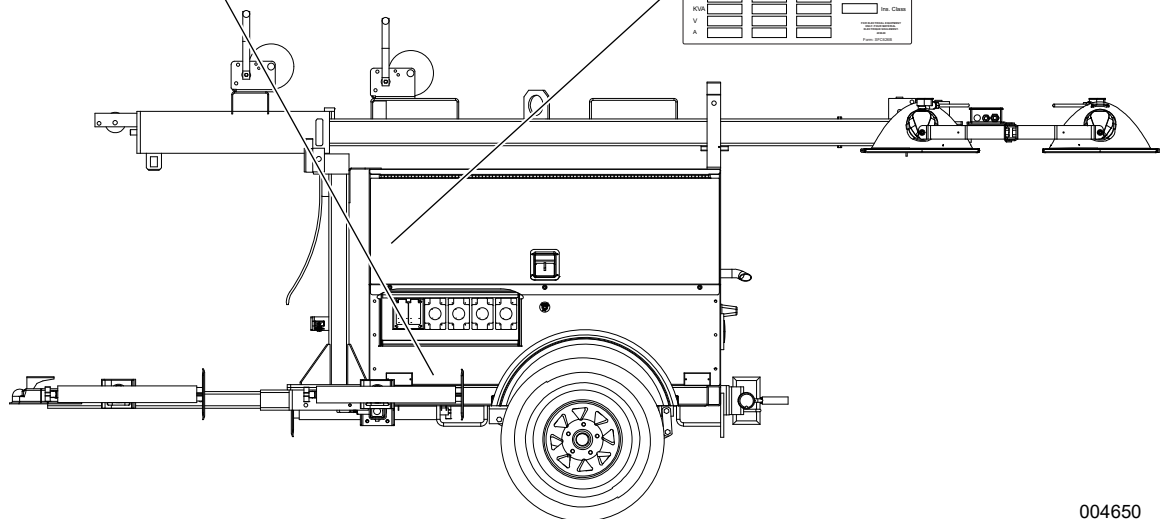
on these tags. Record the information from these tags so it is available if the tags are lost or damaged. When ordering parts or requesting assistance, you may be asked to provide this information.

*VIN Tag*

|  |                             |                                    |  |  |
|--|-----------------------------|------------------------------------|--|--|
| MANUFACTURED BY/FABRIQUE PAR: Generac Mobile Products, LLC |                             | DATE: 000000                       | TIRE AND LOADING INFORMATION   |  |
| GVA/PM/PAV: 00000 (000000)                                 |                             | COLD INF. PRESS./                  | RECOMMENDATIONS SUR LES  |  |
| COUNTRY / PAYS: 00000 (000000)                             |                             | PRESS. DE                          | PNEUS EN CAS D'EMERGENANCE   |  |
| MODEL / MODELE: 00000 (000000)                             | TYPE / TYPE: 00000 (000000) | CONF. A / CONFIG. - 00000 (000000) | The weight of cargo should never exceed 00000 (00000.00) lbs. (00000 (00000.00) kg) for this configuration. For full details, see page 00000 (00000.00). |  |
| VIN: 00000000000000000000                                  |                             | MODEL: XXXX000                     | SEE OWNER'S MANUAL FOR ADDITIONAL INFORMATION. (SEE USER'S MANUAL FOR MORE DETAILS.)   |  |
|  |                             | TYPE: TRAILER                      |  |  |

*Unit ID Tag  
Located on inside  
of front panel*

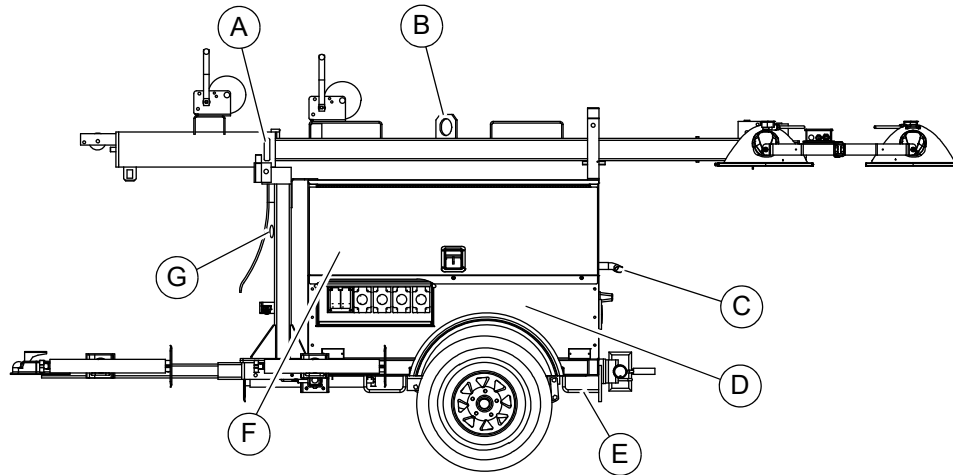
|   |               |                |
|---|---------------|----------------|
| Manufactured by Generac Mobile Products, LLC. |               |                |
| (000) 361-4442                                | Model         | (000) 000-0000 |
| Country of Origin                             | Serial Number |                |
| Manufacturing Code                            | 0000 (0000)   | 0000 (0000)    |
| 1 pin, 1.0PF                                  | 3 pin, 0.8PF  | 3 pin, 1.0PF   |
| 2 pin, 1.0PF                                  | 3 pin, 1.0PF  | 3 pin, 1.0PF   |
| 4 pin, 1.0PF                                  | 3 pin, 1.0PF  | 3 pin, 1.0PF   |
| 5 pin, 1.0PF                                  | 3 pin, 1.0PF  | 3 pin, 1.0PF   |
| 6 pin, 1.0PF                                  | 3 pin, 1.0PF  | 3 pin, 1.0PF   |
| 7 pin, 1.0PF                                  | 3 pin, 1.0PF  | 3 pin, 1.0PF   |
| 8 pin, 1.0PF                                  | 3 pin, 1.0PF  | 3 pin, 1.0PF   |
| 9 pin, 1.0PF                                  | 3 pin, 1.0PF  | 3 pin, 1.0PF   |
| 10 pin, 1.0PF                                 | 3 pin, 1.0PF  | 3 pin, 1.0PF   |
| 11 pin, 1.0PF                                 | 3 pin, 1.0PF  | 3 pin, 1.0PF   |
| 12 pin, 1.0PF                                 | 3 pin, 1.0PF  | 3 pin, 1.0PF   |
| 13 pin, 1.0PF                                 | 3 pin, 1.0PF  | 3 pin, 1.0PF   |
| 14 pin, 1.0PF                                 | 3 pin, 1.0PF  | 3 pin, 1.0PF   |
| 15 pin, 1.0PF                                 | 3 pin, 1.0PF  | 3 pin, 1.0PF   |
| 16 pin, 1.0PF                                 | 3 pin, 1.0PF  | 3 pin, 1.0PF   |
| 17 pin, 1.0PF                                 | 3 pin, 1.0PF  | 3 pin, 1.0PF   |
| 18 pin, 1.0PF                                 | 3 pin, 1.0PF  | 3 pin, 1.0PF   |
| 19 pin, 1.0PF                                 | 3 pin, 1.0PF  | 3 pin, 1.0PF   |
| 20 pin, 1.0PF                                 | 3 pin, 1.0PF  | 3 pin, 1.0PF   |
| 21 pin, 1.0PF                                 | 3 pin, 1.0PF  | 3 pin, 1.0PF   |
| 22 pin, 1.0PF                                 | 3 pin, 1.0PF  | 3 pin, 1.0PF   |
| 23 pin, 1.0PF                                 | 3 pin, 1.0PF  | 3 pin, 1.0PF   |
| 24 pin, 1.0PF                                 | 3 pin, 1.0PF  | 3 pin, 1.0PF   |
| 25 pin, 1.0PF                                 | 3 pin, 1.0PF  | 3 pin, 1.0PF   |
| 26 pin, 1.0PF                                 | 3 pin, 1.0PF  | 3 pin, 1.0PF   |
| 27 pin, 1.0PF                                 | 3 pin, 1.0PF  | 3 pin, 1.0PF   |
| 28 pin, 1.0PF                                 | 3 pin, 1.0PF  | 3 pin, 1.0PF   |
| 29 pin, 1.0PF                                 | 3 pin, 1.0PF  | 3 pin, 1.0PF   |
| 30 pin, 1.0PF                                 | 3 pin, 1.0PF  | 3 pin, 1.0PF   |
| 31 pin, 1.0PF                                 | 3 pin, 1.0PF  | 3 pin, 1.0PF   |
| 32 pin, 1.0PF                                 | 3 pin, 1.0PF  | 3 pin, 1.0PF   |
| 33 pin, 1.0PF                                 | 3 pin, 1.0PF  | 3 pin, 1.0PF   |
| 34 pin, 1.0PF                                 | 3 pin, 1.0PF  | 3 pin, 1.0PF   |
| 35 pin, 1.0PF                                 | 3 pin, 1.0PF  | 3 pin, 1.0PF   |
| 36 pin, 1.0PF                                 | 3 pin, 1.0PF  | 3 pin, 1.0PF   |
| 37 pin, 1.0PF                                 | 3 pin, 1.0PF  | 3 pin, 1.0PF   |
| 38 pin, 1.0PF                                 | 3 pin, 1.0PF  | 3 pin, 1.0PF   |
| 39 pin, 1.0PF                                 | 3 pin, 1.0PF  | 3 pin, 1.0PF   |
| 40 pin, 1.0PF                                 | 3 pin, 1.0PF  | 3 pin, 1.0PF   |
| 41 pin, 1.0PF                                 | 3 pin, 1.0PF  | 3 pin, 1.0PF   |
| 42 pin, 1.0PF                                 | 3 pin, 1.0PF  | 3 pin, 1.0PF   |
| 43 pin, 1.0PF                                 | 3 pin, 1.0PF  | 3 pin, 1.0PF   |
| 44 pin, 1.0PF                                 | 3 pin, 1.0PF  | 3 pin, 1.0PF   |
| 45 pin, 1.0PF                                 | 3 pin, 1.0PF  | 3 pin, 1.0PF   |
| 46 pin, 1.0PF                                 | 3 pin, 1.0PF  | 3 pin, 1.0PF   |
| 47 pin, 1.0PF                                 | 3 pin, 1.0PF  | 3 pin, 1.0PF   |
| 48 pin, 1.0PF                                 | 3 pin, 1.0PF  | 3 pin, 1.0PF   |
| 49 pin, 1.0PF                                 | 3 pin, 1.0PF  | 3 pin, 1.0PF   |
| 50 pin, 1.0PF                                 | 3 pin, 1.0PF  | 3 pin, 1.0PF   |
| 51 pin, 1.0PF                                 | 3 pin, 1.0PF  | 3 pin, 1.0PF   |
| 52 pin, 1.0PF                                 | 3 pin, 1.0PF  | 3 pin, 1.0PF   |
| 53 pin, 1.0PF                                 | 3 pin, 1.0PF  | 3 pin, 1.0PF   |
| 54 pin, 1.0PF                                 | 3 pin, 1.0PF  | 3 pin, 1.0PF   |
| 55 pin, 1.0PF                                 | 3 pin, 1.0PF  | 3 pin, 1.0PF   |
| 56 pin, 1.0PF                                 | 3 pin, 1.0PF  | 3 pin, 1.0PF   |
| 57 pin, 1.0PF                                 | 3 pin, 1.0PF  | 3 pin, 1.0PF   |
| 58 pin, 1.0PF                                 | 3 pin, 1.0PF  | 3 pin, 1.0PF   |
| 59 pin, 1.0PF                                 | 3 pin, 1.0PF  | 3 pin, 1.0PF   |
| 60 pin, 1.0PF                                 | 3 pin, 1.0PF  | 3 pin, 1.0PF   |
| 61 pin, 1.0PF                                 | 3 pin, 1.0PF  | 3 pin, 1.0PF   |
| 62 pin, 1.0PF                                 | 3 pin, 1.0PF  | 3 pin, 1.0PF   |
| 63 pin, 1.0PF                                 | 3 pin, 1.0PF  | 3 pin, 1.0PF   |
| 64 pin, 1.0PF                                 | 3 pin, 1.0PF  | 3 pin, 1.0PF   |
| 65 pin, 1.0PF                                 | 3 pin, 1.0PF  | 3 pin, 1.0PF   |
| 66 pin, 1.0PF                                 | 3 pin, 1.0PF  | 3 pin, 1.0PF   |
| 67 pin, 1.0PF                                 | 3 pin, 1.0PF  | 3 pin, 1.0PF   |
| 68 pin, 1.0PF                                 | 3 pin, 1.0PF  | 3 pin, 1.0PF   |
| 69 pin, 1.0PF                                 | 3 pin, 1.0PF  | 3 pin, 1.0PF   |
| 70 pin, 1.0PF                                 | 3 pin, 1.0PF  | 3 pin, 1.0PF   |
| 71 pin, 1.0PF                                 | 3 pin, 1.0PF  | 3 pin, 1.0PF   |
| 72 pin, 1.0PF                                 | 3 pin, 1.0PF  | 3 pin, 1.0PF   |
| 73 pin, 1.0PF                                 | 3 pin, 1.0PF  | 3 pin, 1.0PF   |
| 74 pin, 1.0PF                                 | 3 pin, 1.0PF  | 3 pin, 1.0PF   |
| 75 pin, 1.0PF                                 | 3 pin, 1.0PF  | 3 pin, 1.0PF   |
| 76 pin, 1.0PF                                 | 3 pin, 1.0PF  | 3 pin, 1.0PF   |
| 77 pin, 1.0PF                                 | 3 pin, 1.0PF  | 3 pin, 1.0PF   |
| 78 pin, 1.0PF                                 | 3 pin, 1.0PF  | 3 pin, 1.0PF   |
| 79 pin, 1.0PF                                 | 3 pin, 1.0PF  | 3 pin, 1.0PF   |
| 80 pin, 1.0PF                                 | 3 pin, 1.0PF  | 3 pin, 1.0PF   |
| 81 pin, 1.0PF                                 | 3 pin, 1.0PF  | 3 pin, 1.0PF   |
| 82 pin, 1.0PF                                 | 3 pin, 1.0PF  | 3 pin, 1.0PF   |
| 83 pin, 1.0PF                                 | 3 pin, 1.0PF  | 3 pin, 1.0PF   |
| 84 pin, 1.0PF                                 | 3 pin, 1.0PF  | 3 pin, 1.0PF   |
| 85 pin, 1.0PF                                 | 3 pin, 1.0PF  | 3 pin, 1.0PF   |
| 86 pin, 1.0PF                                 | 3 pin, 1.0PF  | 3 pin, 1.0PF   |
| 87 pin, 1.0PF                                 | 3 pin, 1.0PF  | 3 pin, 1.0PF   |
| 88 pin, 1.0PF                                 | 3 pin, 1.0PF  | 3 pin, 1.0PF   |
| 89 pin, 1.0PF                                 | 3 pin, 1.0PF  | 3 pin, 1.0PF   |
| 90 pin, 1.0PF                                 | 3 pin, 1.0PF  | 3 pin, 1.0PF   |
| 91 pin, 1.0PF                                 | 3 pin, 1.0PF  | 3 pin, 1.0PF   |
| 92 pin, 1.0PF                                 | 3 pin, 1.0PF  | 3 pin, 1.0PF   |
| 93 pin, 1.0PF                                 | 3 pin, 1.0PF  | 3 pin, 1.0PF   |
| 94 pin, 1.0PF                                 | 3 pin, 1.0PF  | 3 pin, 1.0PF   |
| 95 pin, 1.0PF                                 | 3 pin, 1.0PF  | 3 pin, 1.0PF   |
| 96 pin, 1.0PF                                 | 3 pin, 1.0PF  | 3 pin, 1.0PF   |
| 97 pin, 1.0PF                                 | 3 pin, 1.0PF  | 3 pin, 1.0PF   |
| 98 pin, 1.0PF                                 | 3 pin, 1.0PF  | 3 pin, 1.0PF   |
| 99 pin, 1.0PF                                 | 3 pin, 1.0PF  | 3 pin, 1.0PF   |
| 00 pin, 1.0PF                                 | 3 pin, 1.0PF  | 3 pin, 1.0PF   |



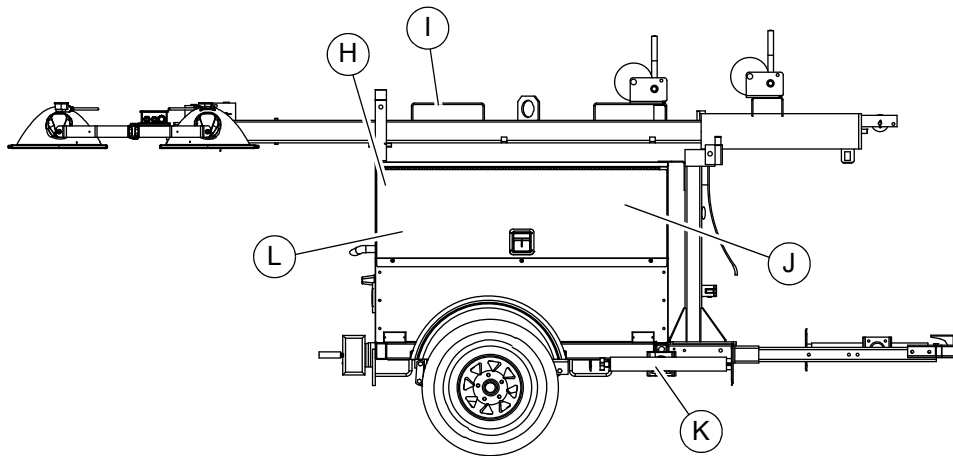
**Figure 2-2. Serial Number Locations**

004650

## Component Locations



**LEFT SIDE**

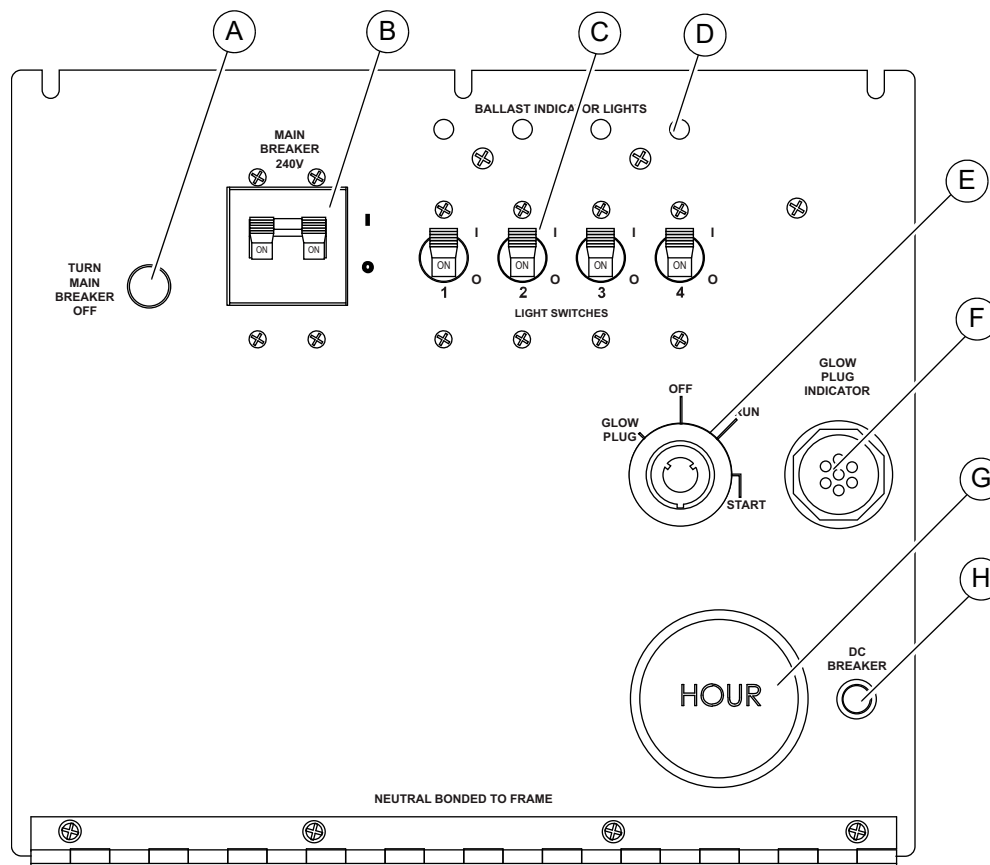


**RIGHT SIDE**

**Figure 2-3. Component Locations**

- |  |  |
|--|--|
| <b>A</b> Mast rotation knob                  | <b>G</b> Emergency stop switch               |
| <b>B</b> Central lifting point               | <b>H</b> Radiator (inside unit)              |
| <b>C</b> Engine exhaust                      | <b>I</b> Upper forklift pocket (2 locations) |
| <b>D</b> Battery (inside unit)               | <b>J</b> Fuel fill (behind door)             |
| <b>E</b> Lower Forklift pocket (2 locations) | <b>K</b> Outrigger (2 locations)             |
| <b>F</b> Control panel (inside unit)         | <b>L</b> Engine access door                  |

## Control Panel



004625

**Figure 2-4. Control Panel**

**(A) Circuit Breaker Indicator Light**

This light indicates that the main circuit breaker must be opened (switched off) before starting the engine.

**(B) Main Circuit Breaker**

This 240V (70A or 100A) breaker will disconnect power to the lights and receptacles.

**(C) Light Switches**

One circuit breaker is supplied for each light.

**(D) Ballast Indicator Lights**

Indicates power from the ballast to each light.

**(E) Ignition Key Switch**

Keyed switch operates glow plugs, starts and stops engine.

**(F) Glow Plug Indicator**

Indicates operation of the engine glow plugs. (Mitsubishi version shown.)

**(G) Hour Meter**

Keeps track of engine hours.

**(H) 10A Circuit Breaker**

**This page intentionally left blank.**



# Section 3: Operation

## Unit Set-Up

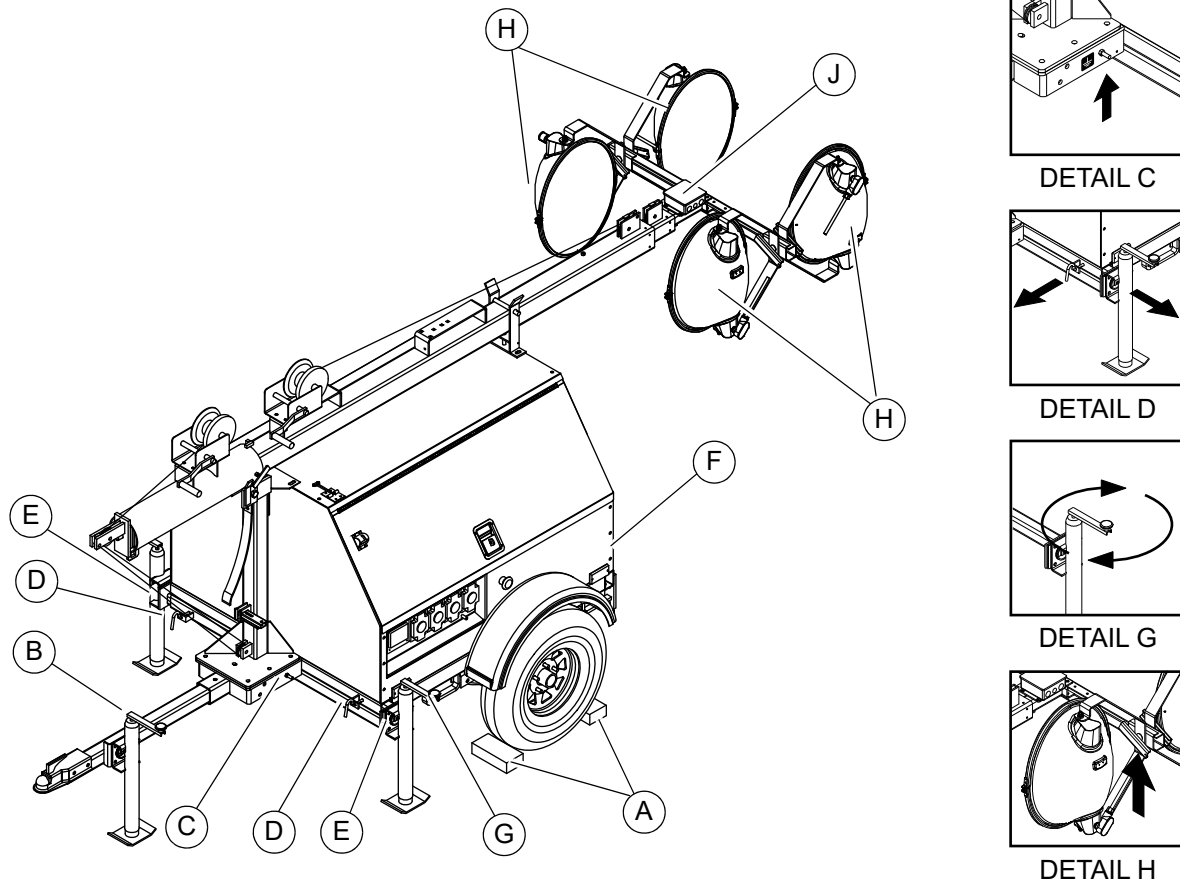


Figure 3-1. Set-Up Components

004659



### **⚠ DANGER**

High Voltage. Verify area above unit is clear of overhead wires and obstructions. Contact with high-voltage power lines will result in death or serious injury. (000260a)



> 60 mph

### **⚠ WARNING**

Do not set up the unit if high winds are expected. High winds can cause the unit to tip or fall, causing severe injury or machine damage. (000297)

1. Position unit at ground level or higher than the area to be illuminated.
2. See [Figure 3-1](#). Place unit on relatively flat, firm ground. Block the wheels (A).
3. Pull locking pin on tongue jack (B). Rotate the jack 90°. Reinstall locking pin. Rotate jack handle clockwise to raise trailer tongue off towing vehicle.
4. A grounding stud (C) is located on the trailer frame at the base of the mast post. For grounding requirements, follow National Electrical Code (NEC), state, and local regulations.
5. Pull locking pins (D) on outriggers (E). Pull each outrigger out until spring-loaded locking pin snaps into place. Pull locking pin on each outrigger jack and rotate each jack 90° so the jack pad is facing down. Install the locking pin.
6. Pull the locking pin on the rear jack (F) and rotate it 90°. Install the locking pin. Turn the jack handle clockwise to start leveling the trailer.
7. Rotate each jack handle clockwise to start leveling the trailer. Adjust all four jacks by rotating their handles clockwise until they are firmly in contact with the ground (G).

8. Before raising the mast, it may be necessary to adjust the lamps. The lamps may be adjusted up, down, left or right by loosening the wing nuts on the trunnion (H) and aiming the lamps in the desired direction. Tighten the hardware completely and make sure the lamps are connected to the junction box (J).

## Prestart Checklist

Before starting the unit, all items in the prestart checklist must be completed. This checklist applies to both manual and remote starting of the unit.



### WARNING

Consult Manual. Read and understand manual completely before using product. Failure to completely understand manual and product could result in death or serious injury. (000100a)

- Verify all maintenance procedures are up to date. For more information, refer to **General Maintenance** and **Basic Maintenance Schedule**.
- The unit must be level.
- The unit must be dry. Look for water inside or near the unit; dry if needed.
- For grounding requirements, follow National Electrical Code (NEC), state, and local regulations.
- Verify the Control Power switch is in the OFF (O) position.
- Verify all circuit breakers are in the OFF (O) position.
- Inspect all electrical cords; repair or replace any that are cut, worn, or bare.
- Verify all winch cables are in good condition and centered on each pulley. Do not use if cables are kinked or beginning to unravel.
- Check oil, coolant, and fuel levels. For more information, refer to **General Maintenance**.
- Verify battery connections are secure.
- Turn the battery disconnect switch on, if equipped.
- Check the engine fan belt tension and condition.
- Check the engine fan belt guard.
- Check the engine exhaust system for loose or rusted components.
- Verify all covers are in place and secure.
- Verify the emergency stop switch is pulled out

## Raising the Mast

1. Set up and level the unit. See **Unit Set-Up**.



### DANGER

Electrocution. DO NOT use the unit if electrical cord is cut or worn through. Doing so will result in death or serious injury.

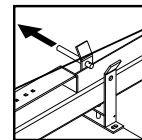
(000263a)

### WARNING

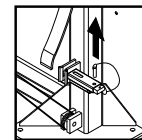
Tipping hazard. Extend the outriggers and level the unit before raising the mast. Keep the outriggers extended while the mast is up. Failure to do so could cause the unit to tip and fall and could result in death or serious injury.

(000266)

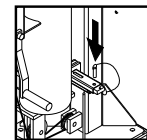
2. See **Figure 3-2**. Remove mast cradle locking pin from mast cradle (A).



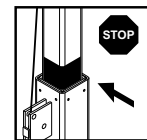
DETAIL A



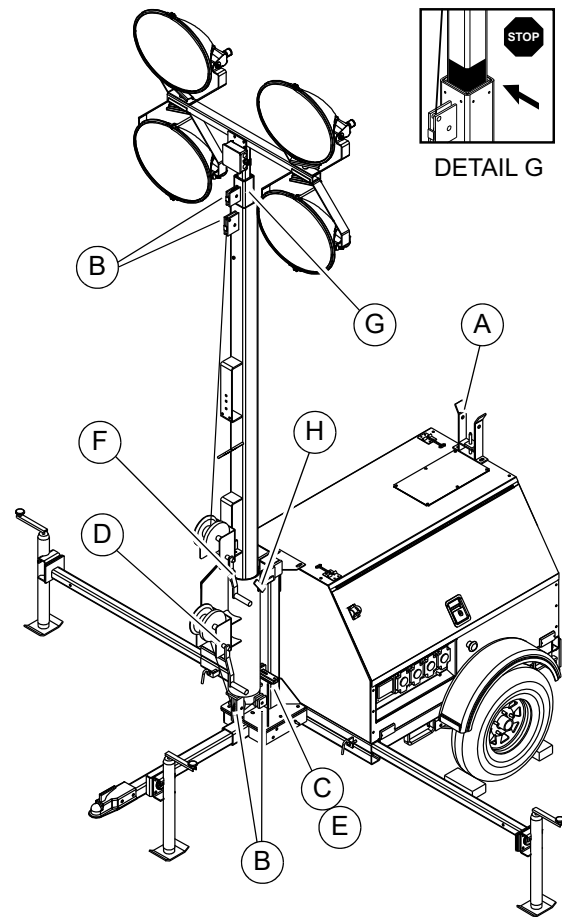
DETAIL C



DETAIL E



DETAIL G



004660

Figure 3-2. Raising the Mast

3. Check the mast cables for excessive wear or damage. Verify the cables are properly centered in each pulley (B). Check the electrical cord for damage.
4. Verify the area around the unit is clear before raising the mast to vertical position.
5. Remove the safety pin from the mast lock bar (C). Using the handle for the lower mast winch (D), raise the mast until it is vertical and the tab on the mast is positioned into the mast lock. The mast lock bar should snap into place automatically. Secure the lock with the safety pin (E).
6. After the mast is up and locked into place, use the upper mast winch (F) to telescope the mast to the desired height. Extend the mast slowly, making sure the electrical cord is extending at the top sections of the mast. Do not extend past the colored mark (G).

**IMPORTANT NOTE: Contact a GMASD immediately if the mast hangs up or the winch cable develops slack.**

7. Rotate the mast by loosening the mast rotation knob at the bottom of the mast (H). Turn the mast until the lights face in the desired direction and then tighten the knob.

**WARNING**

Tipping hazard. Do not extend the mast beyond the colored mark on the second mast section. The unit can become unstable and tip or fall, causing injury.

(000262)

**WARNING**

Personal Injury. Stop immediately if the mast hangs up or the winch cable develops slack. Excess slack could cause the mast to collapse, resulting in personal injury or equipment damage.

(000265)

**WARNING**

Personal injury or equipment damage. Do not raise or lower the mast while the unit is operating. Doing so can break the lenses and cause the lamps to shatter.

(000279)

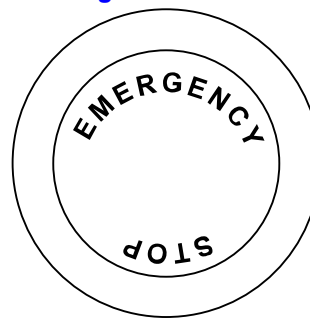
## Emergency Stop Switch

The unit is equipped with one emergency stop switch. For location of the emergency stop switch, refer to [Component Locations](#). The red switch is clearly labeled "EMERGENCY STOP." The switch can be accessed and activated with all doors closed and locked.

Activate the emergency stop switch by pushing the red button in until it locks down.

The switch will remain closed until it is pulled out.

**NOTE:** Use the emergency stop switch only when the unit must be shut down immediately. For any other shut down, refer to [Shutting Down the Unit](#).



002393

Figure 3-3. Emergency Stop

## Starting the Unit

**NOTE:** If the engine was run out of fuel or the fuel tank was drained, it may be necessary to bleed the fuel lines. Refer to the engine operator's manual supplied with the unit.

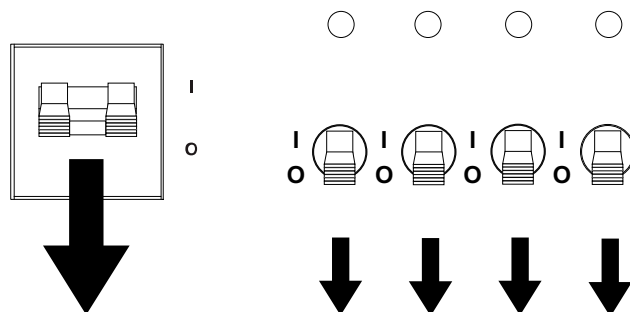
1. See [Figure 3-4](#). Verify the main circuit breaker and individual circuit breakers for each of the lights are OFF (O).

**WARNING**

Equipment Damage. Never start the engine with circuit breakers switched on. Any load connected to the generator at start up will cause severe damage or destroy the generator.

(000368)

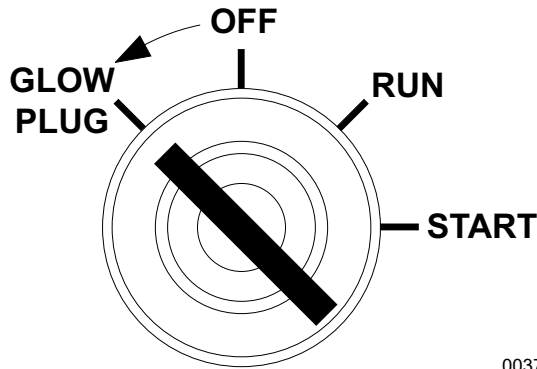
**NOTE:** If the red light on the control panel TURN MAIN BREAKER OFF is illuminated when the key is turned to the START position, the breaker is closed (switched on) and must be turned OFF (O).



003791

Figure 3-4. Circuit Breakers in OFF (O) Position

- See [Figure 3-5](#). Turn the key on the Engine Start switch to the left GLOW PLUG position and hold the key in place for 10-15 seconds or until the glow plug indicator turns red (if equipped).



**Figure 3-5. Activate Glow Plug**

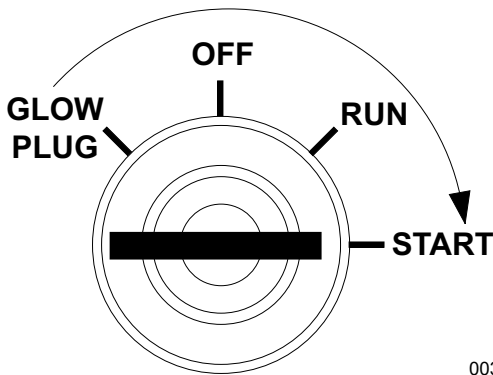
003792

- See [Figure 3-6](#). Turn the key to the right START position and hold it until the engine cranks and starts running.

**CAUTION**

Equipment Damage. Do not continuously crank engine for more than ten seconds. Doing so will lead to overdischarge of batteries and starter seizure.

(000230)



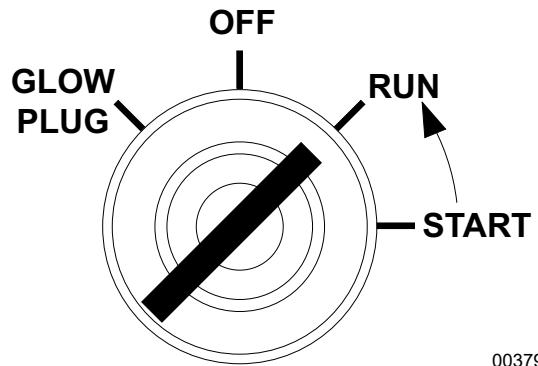
**Figure 3-6. Crank Engine**

003793

- See [Figure 3-7](#). Release the key, it will move to the RUN position.

**NOTE:** For cold weather conditions, refer to the engine operator's manual for appropriate glow plug interval.

**NOTE:** If oil pressure is not obtained within 15 seconds after the key is switched to the RUN position, the low oil automatic shutdown will turn off the fuel supply, stopping the engine. Check the oil level and turn the key to the OFF position to reset the oil pressure timer before attempting to restart the engine.



003794

**Figure 3-7. Release Key**

- Once the engine is running, allow it to reach normal operating temperature before switching on any loads.

## Automatic Shutdown

This unit is equipped with a low oil pressure and high coolant temperature automatic shutdown system. This system will automatically shut off the fuel supply to stop the engine if oil pressure drops too low or the engine exceeds normal operating temperature. Return the main circuit breaker to the OFF position to reset the unit after the cause of shutdown has been determined.

## Light Operation



**WARNING**

Burn hazard. Never operate lights with a damaged or missing lens cover. Lamps are hot and pressurized while in use. Unprotected lamps can shatter, causing severe injury.

(000277)

- Verify the unit is on and running smoothly.
- See [Figure 3-8](#). Switch main circuit breaker (A) ON (I).
- Switch the individual circuit breakers for the lights (B) ON (I), one at a time.
- The ballast indicator lights (C) will turn on and continue to get brighter as the lights warm up, and then remain on. This confirms power is coming from the ballasts to the lights.

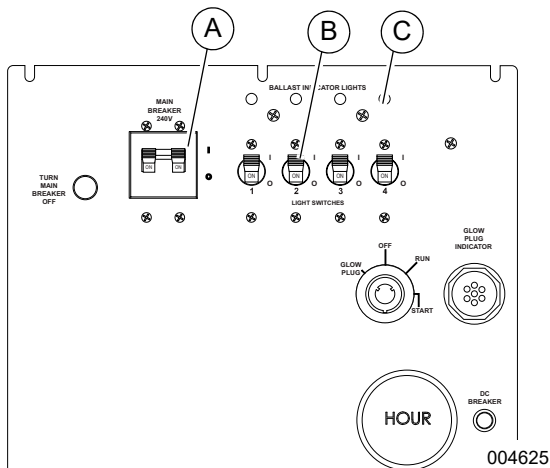


Figure 3-8. Light Switches and Breaker

**NOTE:** If an indicator light does not turn on, see [Troubleshooting](#) or contact a GMASD.

**NOTE:** The lights require a warm up period of 5-15 minutes before they reach full output. If the lights are shut down, they require a cool down period of approximately ten minutes before they can be switched on again.

**NOTE:** The light tower uses four 1,100W bulbs. When checking or replacing the bulbs, wipe them with a clean cloth to avoid leaving any grease, oil residue or fingerprints on the glass. Any residue can create a hot spot on the bulb, causing premature bulb failure.



**WARNING**

Burn hazard. Lamps become extremely hot while in use. Allow 10–15 minutes for cooling before handling or lowering mast. Touching a hot lens or fixture can cause severe burns.

(000278)

## Auxiliary Outlets

See [Figure 3-9](#). The control panel is equipped with multiple receptacles for running accessories or tools from the generator. Power is supplied to the receptacles any time the engine is running and the main circuit breaker and the receptacle circuit breakers are switched to the ON (I) position.

Should the main breaker, or any of the individual circuit breakers trip, remove some of the load to the receptacles before turning them back on.

Each receptacle has an individual circuit breaker, located inside the cabinet under a flip-up cover. Each circuit breaker correspond with the receptacle directly below it.

With all of the lights off, the full generator output may be used with the receptacles.

**NOTE:** To ensure proper grounding, anytime the generator is providing power to any equipment or load panels that does not have a grounded plug, a ground wire **MUST BE** added between the equipment and the grounding stud (A) on the receptacle panel per the National Electrical Code (NEC), state, and local regulations.

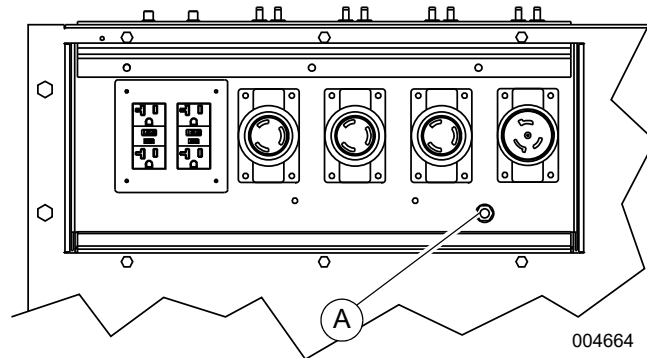


Figure 3-9. Auxiliary Outlets

## Wet Stacking

The unit is powered by a diesel engine. Diesel engines are susceptible to wet stacking if lightly loaded. Wet stacking occurs when an engine is run at less than 30% of its full load capacity, causing unburned fuel to accumulate in the exhaust system. Wet stacking can be detected by continuous black exhaust when the unit is under a constant load. It can also cause fouling of injectors and buildup on engine valves. Diesel engines operate properly when applied loads are between 30% and 100% capacity. Appropriate generator sizing is determined by the anticipated load. If the unit is in a wet stack condition, load the unit heavily for five hours or until the exhaust is clear.

## Voltage Regulator

Units are equipped with an electronic voltage regulator. The voltage regulator controls the output of the generator by regulating the current into the exciter field. The voltage regulator is adjusted before shipment from factory. Contact Generac Mobile for additional information before attempting to adjust the voltage regulator.

## Engine Derating

All units are subject to derating for altitude and temperature. Derating reduces the available power for operating tools and accessories connected to the outlets. For every increase in 1000 ft (305 m) of elevation, engine performance for this unit typically drops between 2% and 4%. Also, engine performance decreases about 1% for every 10°F (5.6°C) increase in ambient air temperature over 72°F (22°C).

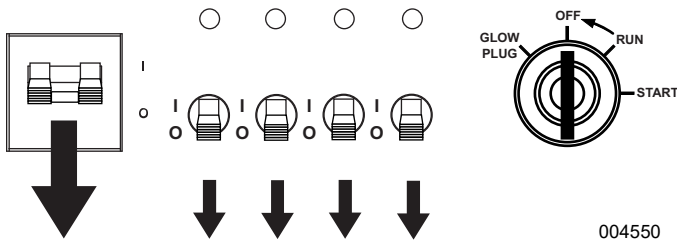


## Shutting Down the Unit

Check with personnel using power supplied by the unit and let them know the power is going to be turned off. Make sure the power shutdown will not create any hazards by accidentally turning off equipment that needs to remain running (pumps, compressors, lights, etc.).

1. Remove all loads from the outlets.
2. See [Figure 3-10](#). Switch the individual circuit breakers for each light OFF (O).
3. Switch the main circuit breaker OFF (O).
4. Turn Control Power switch to OFF (O) position.

**NOTE:** For extended storage time, disconnect the battery. For extended storage requirements, refer to the engine operator's manual.



**Figure 3-10. Shutting Down the Unit**

## Lowering Mast



### WARNING

Burn hazard. Lamps become extremely hot while in use. Allow 10–15 minutes for cooling before handling or lowering mast. Touching a hot lens or fixture can cause severe burns.

(000278)

1. Shut down the lights and engine. See [Shutting Down the Unit](#).
2. If the unit is going to be moved, it is recommended that the mast is turned so the lights face the rear of the unit. To rotate the mast:
  - a. Loosen the mast rotation knob.
  - b. Rotate the mast until the white arrows are aligned and the metal stop tabs are touching.
  - c. Tighten the mast rotation knob.
3. Turn upper mast winch handle counterclockwise to collapse mast to its lowest position. Verify the coiled electrical cord does not get caught in, or pinched by, the mast while it is being lowered.

### WARNING

Personal Injury. Stop immediately if the mast hangs up or the winch cable develops slack. Excess slack could cause the mast to collapse, resulting in personal injury or equipment damage.

(000265)

**IMPORTANT NOTE:** Contact a GMASD immediately if the mast hangs up or the winch cable develops slack.

4. Release the mast lock by pulling the safety pin on the mast lock and pulling the lock bar free. Turn the handle of the lower mast winch counterclockwise until the mast rests in the transport cradle.

**NOTE:** If the mast lock bar does not pull free, activate the lower winch slightly to relieve pressure on the mast bar.

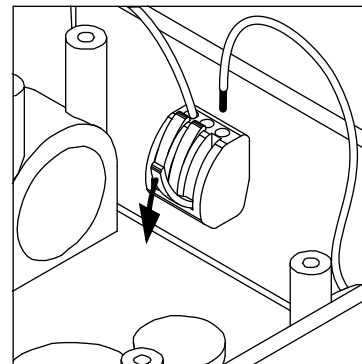
5. After the mast is completely down, insert the mast cradle locking pin and secure it with the safety pin.

**NOTE:** Generac Mobile strongly recommends that the lights be removed from the mast and stowed for transportation. See [Removing Lights for Transportation](#).

## Removing Lights for Transportation

1. See [Figure 3-11](#). On units equipped with quick disconnect fittings for the lights, disconnect the power cords from the junction box at the top of the mast.
2. Replace the dust caps on the junction box. On other units, remove the junction box cover on the top of the mast and disconnect **ONLY** the mast light wires from the terminal blocks.
3. To release the wires from the terminal blocks, flip the locking levers down and pull out the appropriate wires.
4. Remove the lights by removing the nyloc nut that holds the light fixture bracket to the cross tube.
5. Attach the lights to the storage brackets (if equipped) located on the mast tube on either side of the central lifting eye.

**NOTE:** When installing the lights, verify the star washer is in place between the trunnion and nylock nut before tightening.



004481

**Figure 3-11. Removing Lights for Transportation**

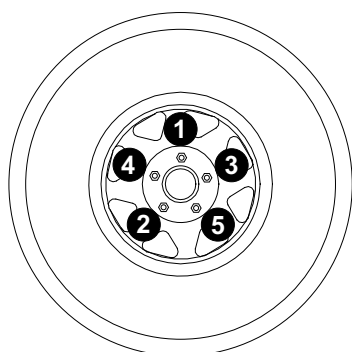
## Towing the Unit

Once the engine is shut down and the mast and lights are properly stowed, follow these steps to prepare the unit for towing.

1. Raise the rear jack completely and release the locking pin to rotate it up into the travel position. Verify the locking pin snaps into place.
2. Raise the outrigger jacks completely and release the jack locking pins to swing the jacks up into the travel position. Verify the locking pins snap into place. Release the outrigger locking pins and slide the outriggers into the trailer frame until the locking pins snap into place.
3. Use the tongue jack to raise or lower the trailer onto the hitch of the towing vehicle. Lock the hitch coupling and attach safety chains or cables to the vehicle. Remove the jack locking pin and rotate the jack into the travel position. Replace the locking pin.

**NOTE:** A film of grease on the coupler will extend coupler life and eliminate squeaking. Wipe the coupler clean and apply fresh grease each time the unit is towed.

4. To ensure proper operation of the jacks, lubricate the grease fittings located on the leveling jacks. Refer to [Jack Maintenance](#). For maintenance interval information, refer to [Basic Maintenance Schedule](#).
5. Connect any trailer wiring to the tow vehicle. Check for proper operation of the directional and brake lights.
6. Verify the mast cradle lock is in place.
7. Verify the doors and enclosure are properly latched.
8. If driving over rough ground, remove the bulbs from the light fixtures.
9. Check for proper inflation of the trailer tires. For maximum tire pressures, refer to [Specifications](#).
10. See [Figure 3-12](#). Check the wheel lugs. Tighten or replace any lugs that are loose or missing. If a tire has been removed for axle service or replaced, tighten the lugs, in the order shown, to the following specifications:



003754

**Figure 3-12. Tightening Wheel Lugs**

- a. Start all lug nuts by hand.
- b. First pass: tighten to 20-25 ft-lbs (27-33 Nm).
- c. Second pass: tighten to 50-60 ft-lbs (67-81 Nm).
- d. Third pass: tighten to 90-120 ft-lbs (122-162 Nm).

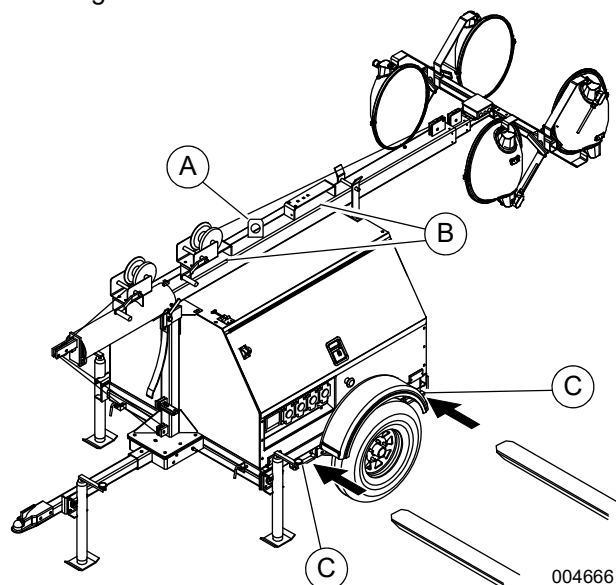
**NOTE:** After the first road use, re-torque the lug nuts in sequence.

11. Maximum recommended speed for highway towing is 45 mph (72 km/h). Recommended off-road towing speed is not to exceed 10 mph (16 km/h) or less, depending on the terrain.

## Lifting the Unit

Follow these steps to prepare the unit for lifting:

1. Verify the equipment being used to lift the unit is in good condition and has sufficient capacity. For approximate weights, refer to [Specifications](#).
2. See [Figure 3-13](#). Close and lock all hoods and doors and stow the lights as shown.
3. Verify the cradle locking pin is in place.
4. When lifting the light tower and trailer, attach any slings, chains or hooks directly to the central lifting eye (A).
5. Always remain aware of people and objects around the unit while preparing, maneuvering, and lifting the unit.
6. Use the upper (B) or lower forklift pockets (C) with care. Approach the unit as perpendicular as possible to avoid any damage to the unit. Make sure the mast winch handles or any other obstructions are clear of the forklift tines before lifting.



004666

**Figure 3-13. Lifting Point**

**This page intentionally left blank.**



# Section 4: Maintenance

## Emissions Information

For warranty information, please refer to the diesel engine manual supplied with this unit.

## Daily Walk-Around Inspection

Perform a walk-around inspection of the unit every day before starting the unit. Look for conditions that could hinder performance or safety, such as (but not limited to):

- Oil, coolant, and fuel leakage
- Blocked vents
- Loose or missing hardware
- Loose or broken electrical connections.

Inspect the fan belt for cracks, fraying, or stretching. Verify the belt is properly seated in the pulley grooves. Replace the belt according to the manufacturer's recommendations.



Equipment Damage. Failure to perform a daily inspection could result in damage to the unit.

(000306)

## General Maintenance

Poorly maintained equipment can become a safety hazard. In order for the equipment to operate safely and properly over a long period of time, periodic maintenance and occasional repairs are necessary. **DO NOT** perform routine service (oil and filter changes, cleaning, etc.) unless all electrical components are shut off.

Regular maintenance will improve performance and extend engine/equipment life. Generac Mobile recommends that all maintenance work be performed by a GMASD. Regular maintenance, replacement or repair of the emissions control devices and systems may be performed by any repair shop or person of the owner's choosing. However, to obtain emissions control warranty service free of charge, the work must be performed by a GMASD or authorized engine dealer depending on the repair. See the emissions warranty.

## Preparing for Service

Before servicing the unit, always follow the instructions listed below.

1. Verify the control power switch is in the OFF position.
2. Verify the circuit breakers are switched OFF (O).
3. Activate (push in) the emergency stop switch.
4. Disconnect the negative (-) terminal on the battery.

5. Attach a "Do Not Start" sign to the control panel. This will notify everyone that the unit is being serviced and will reduce the chance of someone inadvertently trying to start the unit.

## Cleaning the Unit

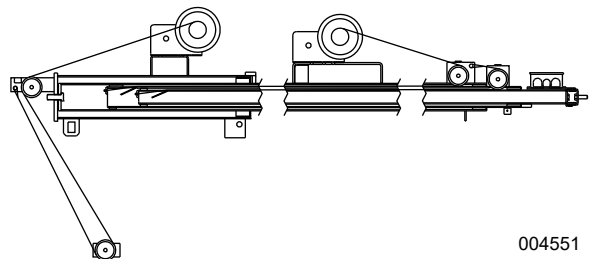
Always clean the Light Tower after each use to remove dust, grease, mud, or spilled fuel or oil. Use soft, clean rags to wipe the cabinet exterior and control panel. Low-pressure compressed air (less than 40 PSI [276 kPa]) can also be used to remove dust and debris from the cabinet interior.

This unit contains sensitive electronic components that can be damaged by high pressure and heat. Therefore:

- Do not wash the unit with a high pressure hose or power washer.
- Do not wash the engine block or fuel tank with a power washer or steam cleaner. Water may enter the cabinet and collect in the generator windings or other electrical parts, causing damage.

## Inspecting the Unit

- If the unit is stored outside, check for water inside the cabinet and generator before each use. If wet, dry the unit thoroughly before starting.
- Inspect condition of electrical cords. **DO NOT** use the unit if insulation is cut or worn through.
- Verify winch cables are in good condition and centered on each pulley. **DO NOT** use a cable that is kinked or starting to unravel.
- Verify the safety pins for the mast lock rod and mast lock bar are present and secured with a chain. Check that the spring located in the mast lock bar is not broken or missing. Check the operation of the mast lock bar.
- See [Figure 4-1](#). Verify correct mast cable routing.



**Figure 4-1. Power Mast Cable Routing**

- Verify the wheel lugs are present and properly tightened. Refer to [Towing Safety](#).

- Check the coolant level daily by inspecting the level in coolant overflow jug located near the radiator. Refer to the engine operator’s manual for coolant recommendations and proper mixture. Normal operating level is between the ‘full’ and ‘add’ markings on the overflow jug.
- **AFTER ENGINE IS STOPPED AND COMPLETELY COOL**, coolant may be added directly to the coolant overflow jug.
- Check the oil level daily. Refer to the engine operator’s manual for the appropriate oil specification. Verify the oil is correct for special operating conditions such as a change in season or climate.
- **DO NOT** start the unit if the engine oil level is below the add mark on the dipstick.
- Normal operating level is in the cross-hatch pattern between the full and add markings on the dipstick.
- Add oil only if the oil level is below the add mark on the bottom of the cross-hatch pattern on the dipstick. **DO NOT OVERFILL** the crankcase.
- Check the fuel level.

- If the unit is connected to a remote start or transfer switch, make sure the remote switch is also off and tagged.

**NOTE:** If the engine was run out of fuel or the fuel tank was drained, it may be necessary to bleed the fuel lines. Refer to the engine operator’s manual supplied with the unit.

## Basic Maintenance Schedule

Refer to the original equipment manufacturer’s operating manual for a complete list of maintenance requirements. Failure to comply with the procedures as described in the engine operator’s manual will nullify the warranty, decrease performance and cause equipment damage or premature equipment failure. Maintenance records may be required to complete a warranty request.

Use the schedule in the following table as a guide for regular maintenance intervals. For additional or replacement copies of the engine operator’s manual, contact a GMASD.

### Basic Maintenance Guide—Mitsubishi Engine

| Item  | Daily | 50 Hr | 250 Hr | 400 Hr | 500 Hr | 750 Hr | 1,000 Hr | As Required |
|---|-------|-------|--------|--------|--------|--------|----------|-------------|
| Check Oil Level                                     | ◆     |       |        |        |        |        |          |             |
| Check Coolant Level                                 | ◆     |       |        |        |        |        |          |             |
| Check Fuel Level                                    | ◆     |       |        |        |        |        |          |             |
| Check Tire Pressure                                 | ◆     |       |        |        |        |        |          |             |
| Check All Electrical Connections                    | ◆     |       |        |        |        |        |          |             |
| Inspect Radiator Fins For Debris, Clean As Required | ◆     |       |        |        |        |        |          |             |
| Inspect Light Tower Winch For Proper Operation      | ◆     |       |        |        |        |        |          |             |
| Fuel Tank - Drain Water                             |       | ◆     |        |        |        |        |          |             |
| Check Air Cleaner                                   |       | ◆     |        |        |        |        |          |             |
| Belt And Belt Tension - Inspect And Adjust          |       |       | ◆      |        |        |        |          |             |
| Replace Fuel Filter                                 |       |       |        | ◆      |        |        |          |             |
| Drain And Clean Fuel Tank                           |       |       |        |        | ◆**    |        |          |             |
| Check Glow Plugs                                    |       |       |        |        | ◆      |        |          |             |
| Lubricate Leveling Jacks                            |       |       |        |        | ◆      |        |          |             |
| Replace Engine Oil And Oil Filter                   |       |       | ◆*^    |        |        |        |          |             |
| Bolts And Nuts On The Engine - Retighten            |       |       |        |        |        |        | ◆*       |             |
| Replace Heated Fuel Filter (If Equipped)            |       |       |        |        |        |        | ◆        |             |
| Inspect Engine Starting Battery                     |       |       |        |        |        |        | ◆        |             |
| Air Cleaner Element - Clean, Check And Replace      |       |       |        |        |        |        |          | ◆           |
| Fuel System - Bleed Air                             |       |       |        |        |        |        |          | ◆           |
| Water Sedimenter - Drain Water                      |       |       |        |        |        |        |          | ◆           |

\* Perform after the initial 50 hours of operation, then on the regularly scheduled interval indicated in the schedule above.

\*\* Certain conditions may require the fuel tank to be drained and cleaned more often. When operating in extremely dusty conditions, clean the fuel tank as often as necessary.

^ Applies to units with serial number 1506075 and higher.

### Basic Maintenance Guide—Isuzu Engine

| Item  | Daily | 250<br>Hr | 500<br>Hr | 750<br>Hr | 1,000<br>Hr |
|---|-------|-----------|-----------|-----------|-------------|
| Check Oil Level                                       | ◆     |           |           |           |             |
| Check Coolant Level                                   | ◆     |           |           |           |             |
| Check Fuel Level                                      | ◆     |           |           |           |             |
| Drain Fuel Filter                                     | ◆     |           |           |           |             |
| Check Tire Pressure                                   | ◆     |           |           |           |             |
| Check All Electrical Connections                      | ◆     |           |           |           |             |
| Clean Battery   | ◆     |           |           |           |             |
| Check Fan Belt Tension (Replace If Necessary)         | ◆     |           |           |           |             |
| Inspect Radiator Fins For Debris, Clean As Required   | ◆     |           |           |           |             |
| Preheating Condition Check                            | ◆     |           |           |           |             |
| Check Engine Starting Conditions And Noise Conditions | ◆     |           |           |           |             |
| Check Exhaust Smoke Condition                         | ◆     |           |           |           |             |
| Inspect Light Tower Winch For Proper Operation        | ◆     |           |           |           |             |
| Replace Fuel Filter Element                           |       | ◆         |           |           |             |
| Clean Water Sedimenter Element                        |       | ◆         |           |           |             |
| Electromagnetic Pump Filter Replacement or Cleaning   |       | ◆         |           |           |             |
| Check Fan Belt Tension (Replace If Necessary)         |       |           | ◆         |           |             |
| Replace Air Filter Element                            |       |           | ◆         |           |             |
| Lubricate Leveling Jacks                              |       |           | ◆         |           |             |
| Replace Engine Oil and Oil Filter                     |       | ◆         |           |           |             |
| Replace Heated Fuel Filter (If Equipped)              |       |           |           |           | ◆           |
| Inspect Engine Starting Battery                       |       |           |           |           | ◆           |

# Winch Use, Operation, and Maintenance

## Prior to Use

- Inspect cable and replace if damaged.
- Check mounting hardware for proper tightness and re-torque if necessary.
- Gears, ratchet pivot point, and shaft bushings must be kept lubricated with a thin film of oil or grease.

## Operation

### Raising the Mast

1. The cable must be securely fastened to the winch drum.
2. Verify the cable and cable attachments are not damaged. Verify there is adequate safety factor of at least three times the maximum load for all components used. Contact Generac Mobile to order a replacement cable if necessary.
3. Referring to the “Cable In / Cable Out” decal on the winch, turn handle according to the specified direction to lift. The ratchet **MUST** make a loud clicking sound while winding the cable.

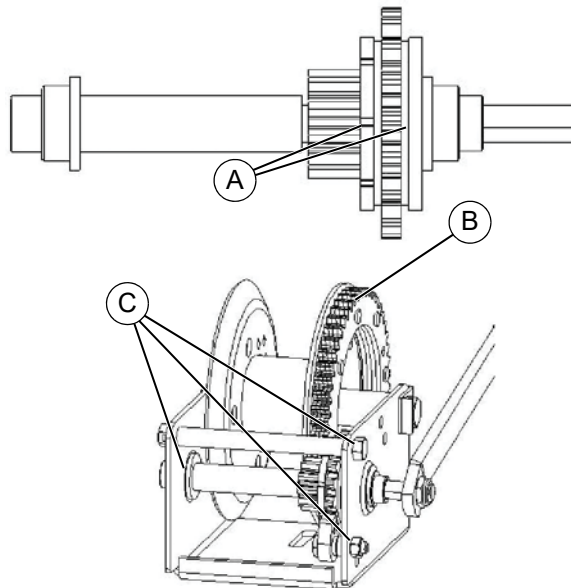
### Lowering the Mast

Referring to the “Cable In / Cable Out” decal on the winch, turn handle according to the specified direction to lower. No clicking will be heard because the brake system is activated.

## Maintenance

The following procedures should be performed at least annually:

1. See **Figure 4-2**. The gears and bushings of the winch must be kept lubricated. Apply a thin film of grease to the gear teeth (B), and oil the bushings as needed (C).



004480

**Figure 4-2. Winch Maintenance**

2. The ratchet pawl pivot point must be kept lubricated with a thin oil.

**NOTE:** Do not get oil or grease on the friction discs (A).

## Winch Maintenance Schedule

| Maintenance Activity             | After First Use | Before Each Use | Semi-Annually |
|----------------------------------|-----------------|-----------------|---------------|
| Check Fasteners                  | ◆               |                 | ◆             |
| Check Electrical Connections     | ◆               |                 | ◆             |
| Clean And Grease Brake Assembly  |                 |                 | ◆             |
| Check Motor Brushes              |                 |                 | ◆             |
| Visually Check Winch And Control | ◆               | ◆               | ◆             |

## Lower Radiator Hose Heater (If Equipped)—Use and Maintenance

The following points should be followed when operating a unit equipped with a lower radiator hose heater.

**IMPORTANT NOTE:** Improper use of the lower radiator hose heater could result in serious personal injury.

- Verify that cooling system is full of a proper mixture of water and engine coolant before each heater use.
- Heater is designed for all-night operation; however, 2-5 hours of heating just prior to starting is usually sufficient for proper engine starting.
- When heater is in operation, unit must be parked in a level position to maintain the proper orientation of the heater.
- Use only an undamaged extension cord, outdoors rated, three-prong grounded 120VAC cord with a minimum amperage rating of 10A. Connect to properly grounded 120VAC, GFCI outlet only.
- Before starting the engine, unplug extension cord from power first; then unplug heater cordset from extension cord.

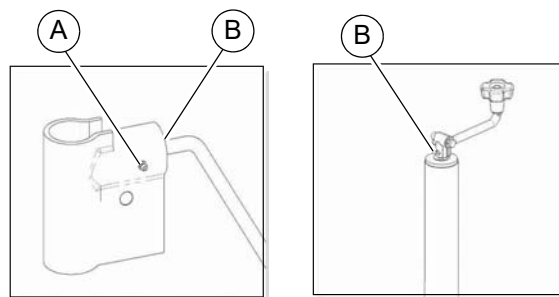
## Trailer Wheel Bearings

The light tower is equipped with a grease zerk fitting to allow lubrication of the wheel bearings without the need to disassemble the axle hub. To lubricate the axle bearings, remove the small rubber plug on the grease cap, attach a standard grease gun fitting to the grease zerk fitting and pump grease into the fitting until new grease is visible around the nozzle of the grease gun. Use only a high quality grease made specifically for lubrication of wheel bearings. Wipe any excess grease from the hub with a clean cloth and replace the rubber plug when finished. The minimum recommended lubrication is every 12 months or 12,000 miles (19,312 km); more frequent lubrication may be required under extremely dusty or damp operating conditions.

## Jack Maintenance

The following procedures should be performed at least annually: For side-wind models, the internal gearing and bushings of the jack must be kept lubricated.

- See **Figure 4-3**. Apply a small amount of automotive grease to the internal gearing by removing the jack cover, or if equipped, use a needle nose applicator or standard grease gun on the lubrication point (A) found on the side of the jack near the crank. Rotate the jack handle to distribute the grease evenly.



002306

**Figure 4-3. Jack Maintenance**

- A lightweight oil (B) must be applied to the handle unit at both sides of the tube for side-wind models.
- If equipped, the axle bolt and nut assembly of the caster wheel must also be lubricated with the same lightweight oil.
- For top-wind models, apply a lightweight oil to the screw stem.

**This page intentionally left blank.**

# Section 5: Troubleshooting

## General Troubleshooting

Some of the more common problems are listed in the table below. This information is intended to be a check or verification that simple causes can be located and fixed. It does not cover all types of problems. Refer to the OEM engine operator's manual for additional troubleshooting information. Procedures that require in-depth knowledge or skills should be referred to a GMASD.



### WARNING

Risk of burns. Allow engine to cool before draining oil or coolant. Failure to do so could result in death or serious injury.

(000139)

## General Troubleshooting Guide

| Problem                           | Possible Cause  | Solution   |
|-----------------------------------|---|--|
| Low oil pressure shutdown         | Low oil level   | Verify oil level on dipstick. Add oil, if needed.  |
|                                   | Oil leaking from engine                               | Visually inspect the engine for leaks.   |
|                                   | Oil pressure switch failure                           | Refer to OEM engine operator's manual to identify corrective action.   |
| High coolant temperature shutdown | Low coolant level                                     | Add coolant if needed. Allow engine to cool, then check coolant level in radiator. Restart engine and check coolant temperature. Stop engine immediately if coolant temperature is 210°F (99°C) or more.   |
|                                   | Blockage in radiator                                  | Inspect radiator shroud and ducting for blockage and remove any foreign matter.  |
|                                   | Leakage in coolant hoses, engine block, or water pump | Inspect for visible leaks. Verify tension of water pump serpentine drive belt.<br>Remove load on generator and restart engine. Verify coolant temperature and shut engine down immediately if it starts to overheat. Refer to the OEM engine operator's manual for additional information on engine overheating. |
| Unit cranks, but will not start   | Fuel level low  | Check fuel level in tank.<br>Verify fuel pump operation.   |
|                                   | Restricted air filter                                 | Inspect air filter for blockage.<br>Refer to OEM engine operator's manual for additional information.  |

If problems persist, contact Generac Mobile at 1-800-926-9768 for assistance.

## Troubleshooting the Lights

Only a qualified electrician should troubleshoot or repair electrical problems occurring in this equipment. Contact Generac Mobile Technical Service at 1-800-926-9768 for assistance if you have any questions, or if problems persist.



**⚠️ WARNING**

Burn hazard. Lamps become extremely hot while in use. Allow 10–15 minutes for cooling before handling or lowering mast. Touching a hot lens or fixture can cause severe burns.

(000278)



**⚠️ WARNING**

Electrocution. Potentially lethal voltages are generated by this equipment. Render the equipment safe before attempting repairs or maintenance. Failure to do so could result in death or serious injury.

(000187)

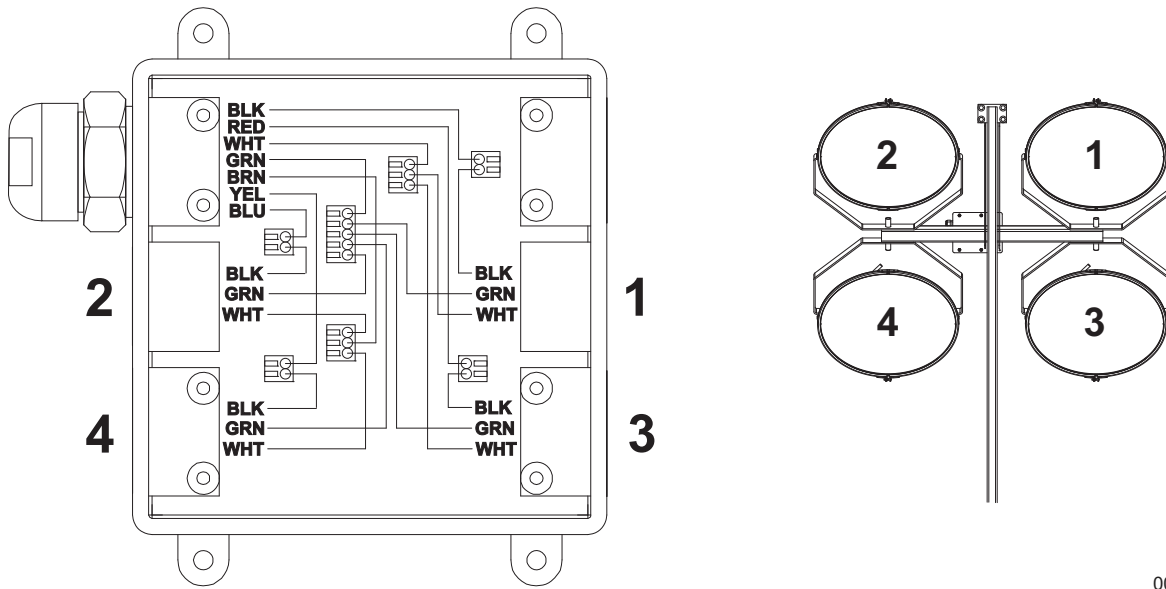
### Mast Lights Troubleshooting Guide

| Problem                                    | Possible Cause                          | Solution  |
|--|---|---|
| Mast Lights OFF but ballast indicators ON  | Light fixture is too hot.               | Allow light to cool 10-15 minutes before restarting.  |
|  | Faulty lamp connection.                 | Check that the lamp is tight in the socket.   |
|  | Lamp broken                             | Check for broken arc tube or outer lamp jacket, broken or loose components in lamp envelope, or blackening/deposits inside tube.  |
|  | Loose lighting connections              | Check the connections inside the mast junction box and each mast light housing/socket.  |
|  | Damaged or loose electrical cord        | Check the mast electrical cord for damage and check the cord connections inside the control box.  |
| Mast Lights OFF and ballast indicators OFF | Loose lighting connections              | Check the connections inside the control box and inside each ballast box.   |
|  | Generator output incorrect              | Check the incoming voltage to the ballast by checking the available voltage on the GFCI receptacle. Incoming voltage should be 120V ±5V. If voltage is incorrect, the engine speed may need to be adjusted or generator may require service.  |
|  | Low transformer output                  | The voltage from the transformer should read approximately 400VAC as the light “strikes” (induces an arc), then drop and slowly rise back up to stabilize at 240-260VAC. On hard wired models, remove the mast junction box cover and insert the wire probes into the connector blocks for the light and ground. If proper voltage is not achieved, perform capacitor check to determine if the capacitor or coil needs to be replaced. |
| Mast Lights ON but light output is low     | Fixture and/or lens is dirty            | Clean reflective surface inside fixture and both inside and outside surface of glass lens. Use mild soap and water to clean lens. Other chemicals may have an adverse effect on the glass.  |
|  | Lamp worn due to normal use             | Replace lamp.   |
|  | Damaged or loose electrical connections | Check the mast coil cord, mast junction box and mast light connections.   |
|  | Generator output incorrect              | Check the incoming voltage to the ballast. Incoming voltage should be 120V ±5V. If the voltage is incorrect, the engine speed may need to be adjusted or the generator may require service.   |
|  | Low transformer output                  | The voltage from the transformer should read approximately 400VAC as the light “strikes” (induces an arc), then drop and slowly rise back up to stabilize at 240-260VAC. On hard wired models, remove the mast junction box cover and insert the wire probes into the connector blocks for the light and ground. If proper voltage is not achieved, perform capacitor check to determine if the capacitor or coil needs to be replaced. |



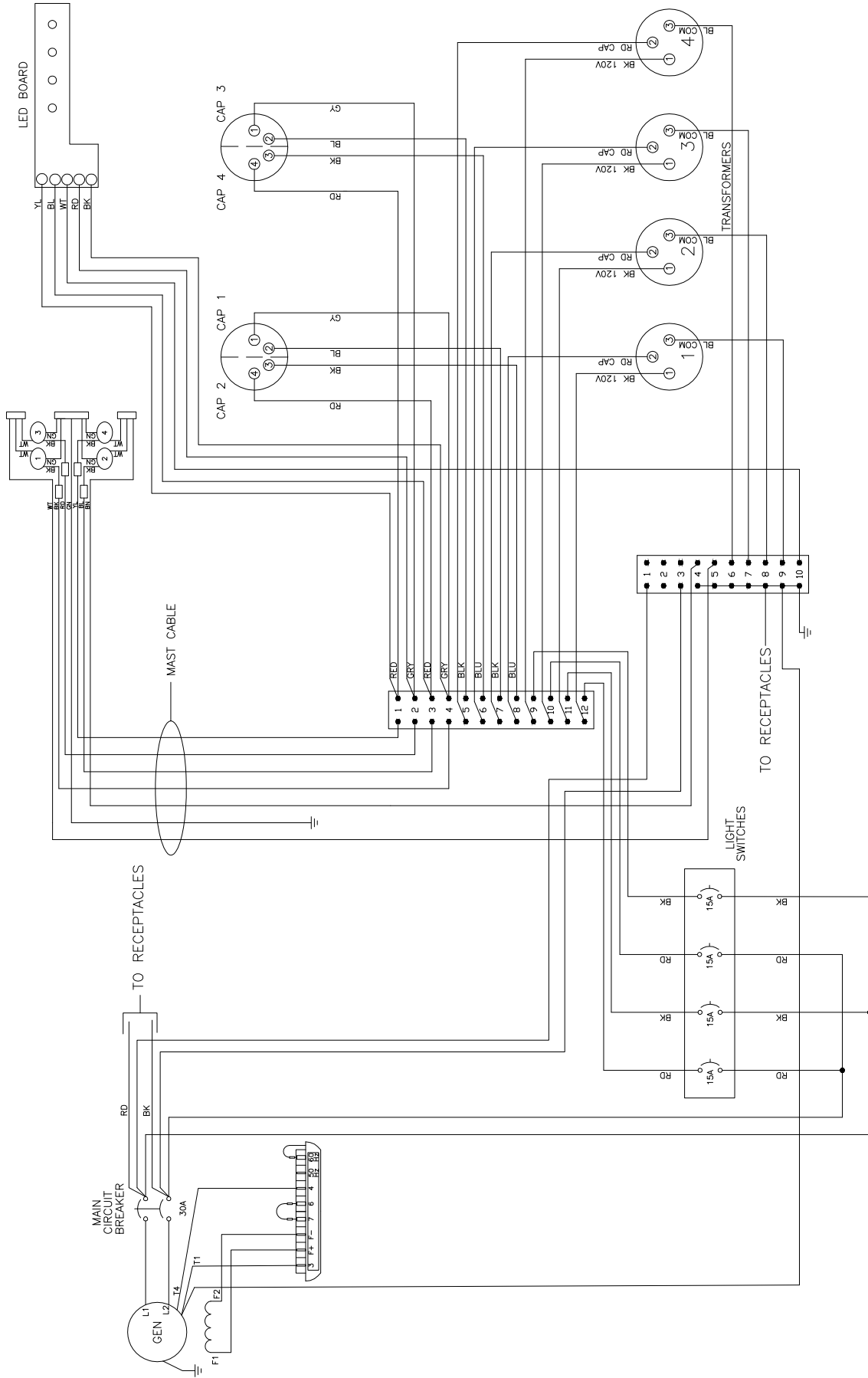
# Section 6: Wiring Diagrams

## Mast Junction Box Wiring and Light Connections

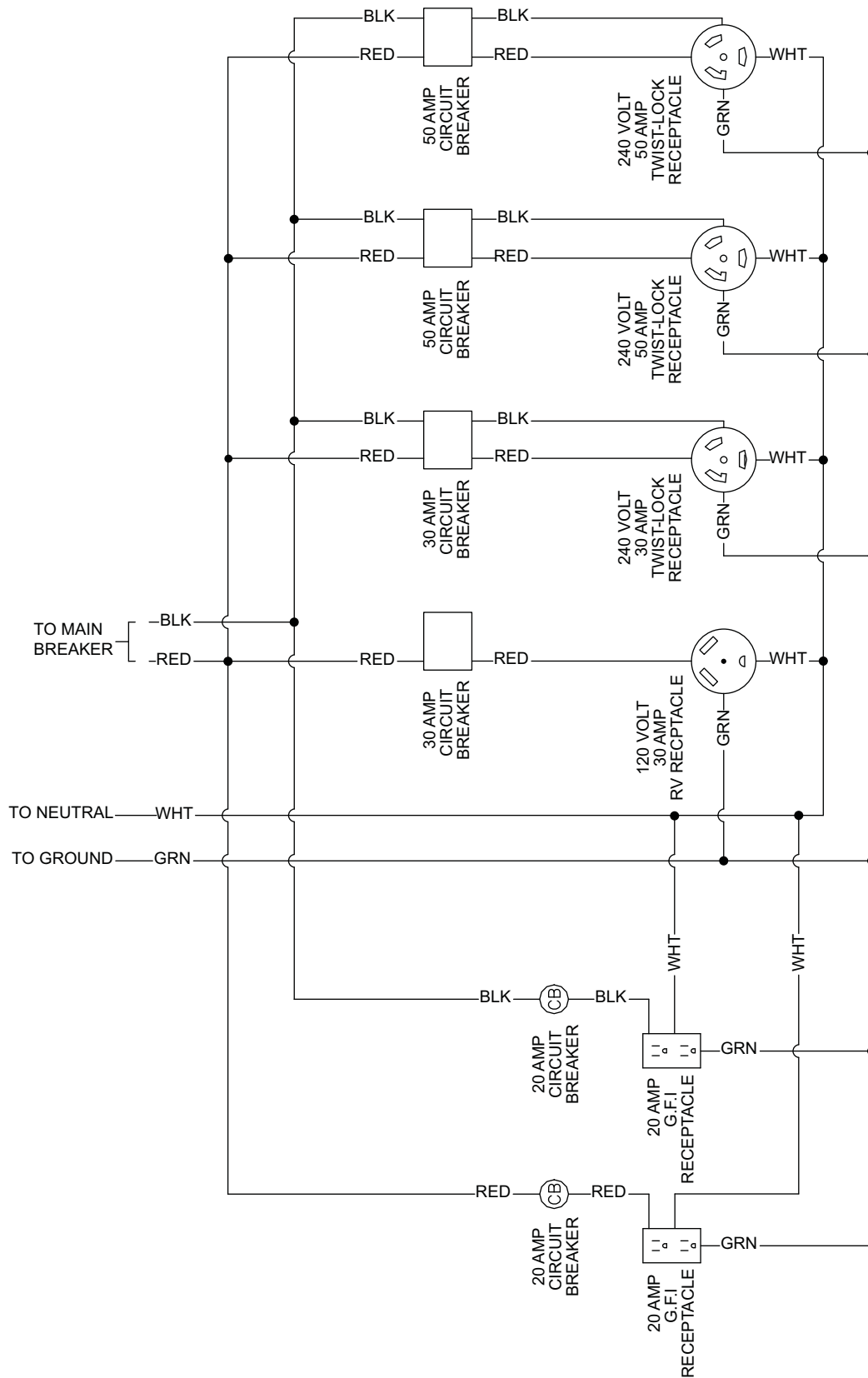


00768

# AC Wiring



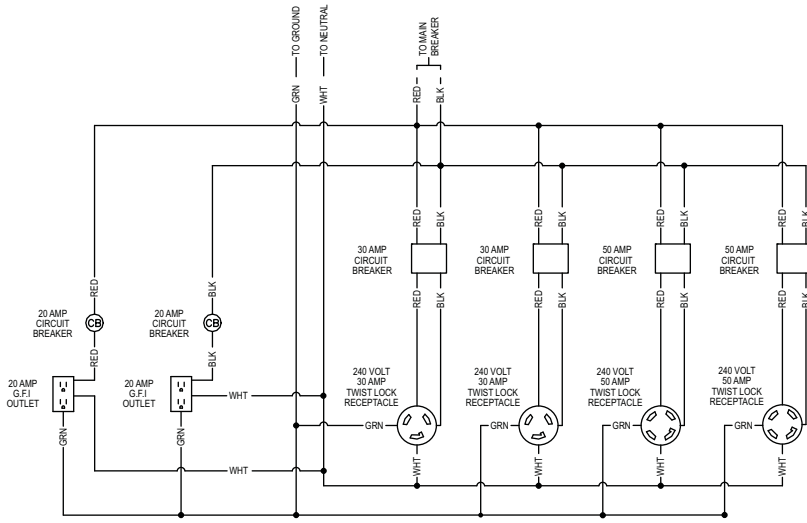
# AC Wiring—Receptacle Panel



(2x5-20R, 1xTT-30, 1xL14-30R, 2x14-50)

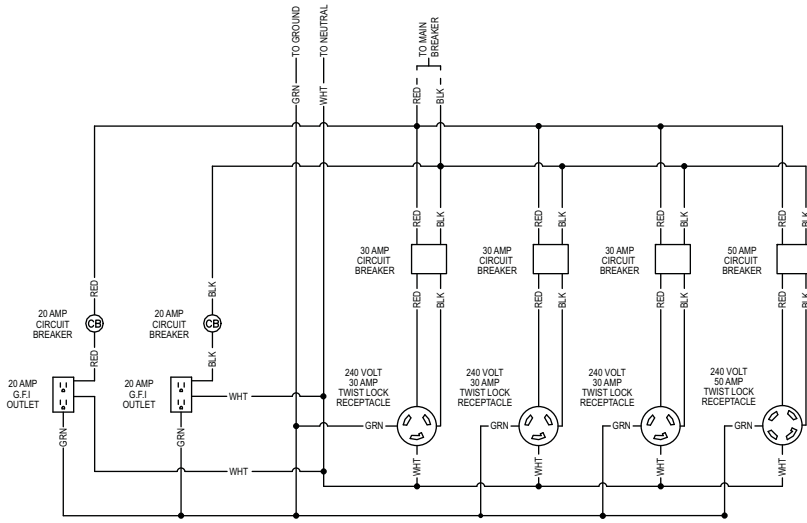
90317\_ORG\_07.06.11

# AC Wiring—Receptacle Panel Options (If Equipped) (1 of 2)



Receptacle Panel (2x5-20R, 2xL6-30R, 2xL14-50)

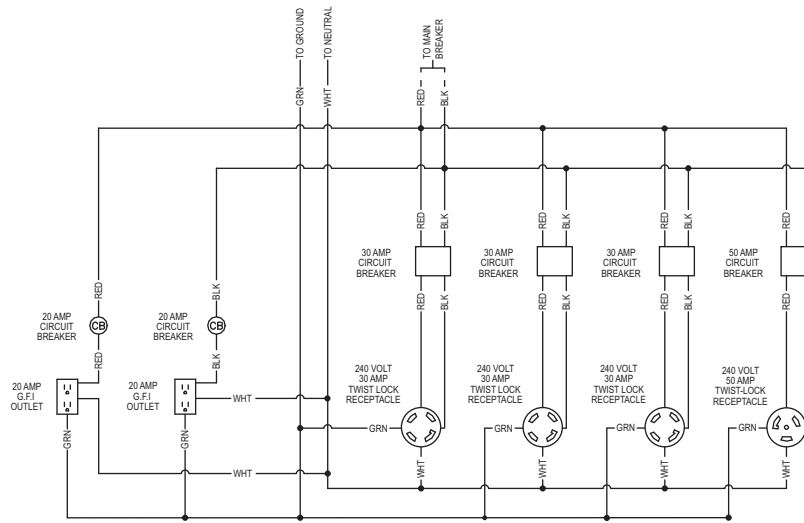
90315\_ORG\_10.14.11



Receptacle Panel (2x5-20R, 3xL6-30R, 1xL14-50)

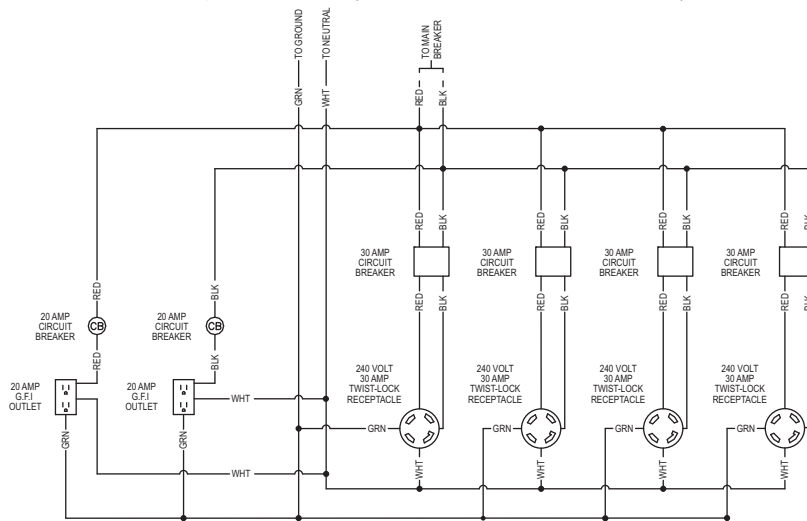
90318\_ORG\_07.06.11

# AC Wiring—Receptacle Panel Options (If Equipped) (2 of 2)



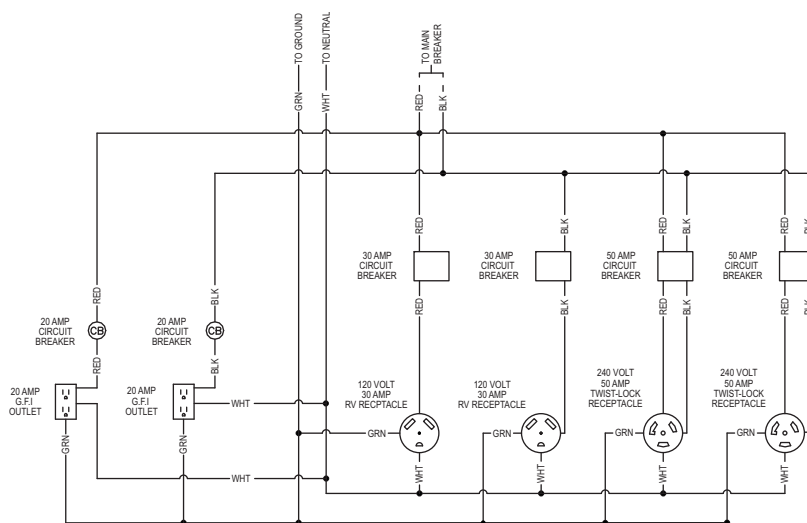
Receptacle Panel (2x5-20R, 3xL14-30R, 1x50A)

90320\_ORG\_07.06.11



Receptacle Panel (2x5-20R, 4xL14-30R)

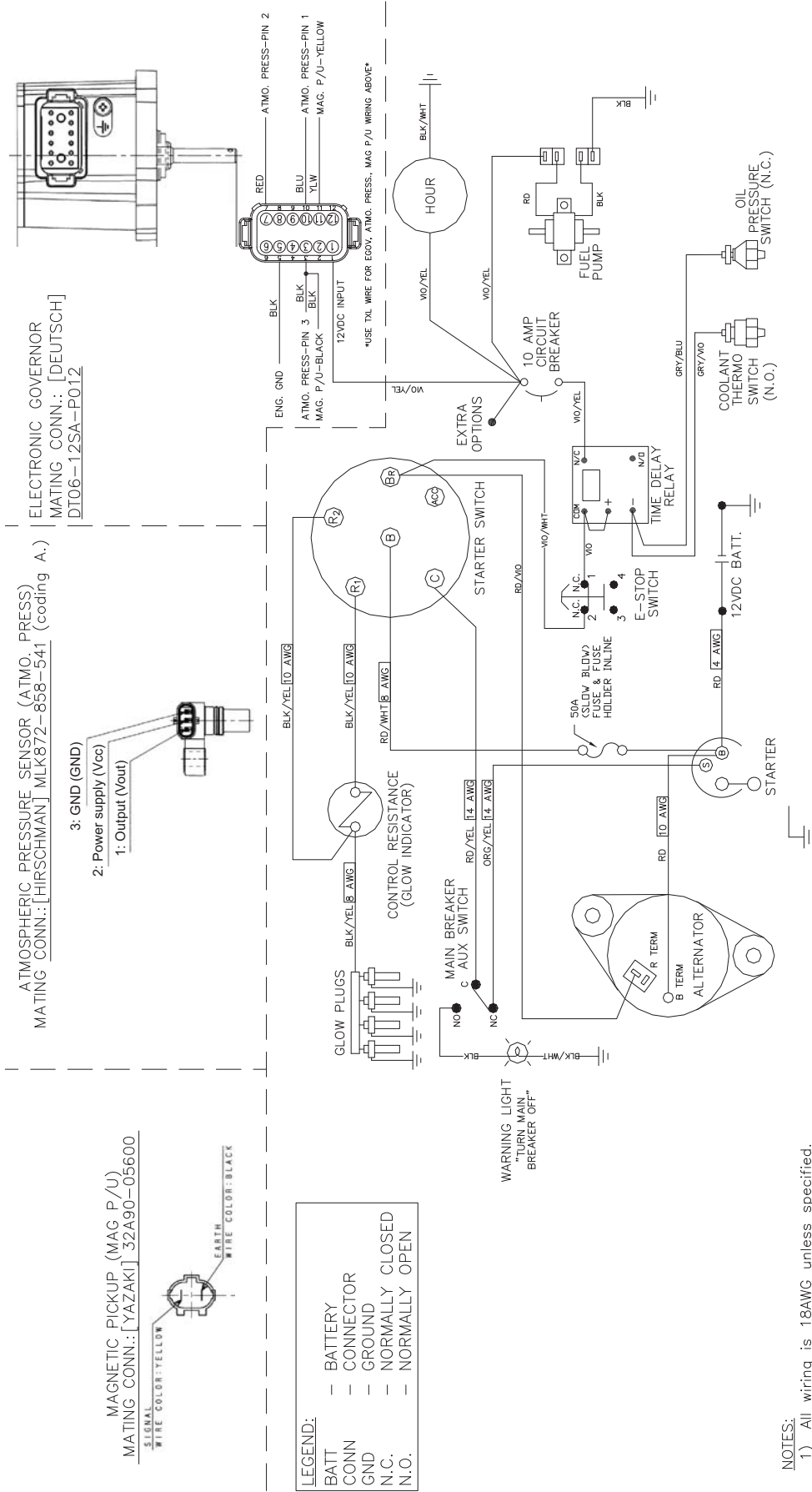
90321\_ORG\_07.06.11



Receptacle Panel (2x5-20R, 2xTT-30, 2x14-50)

90355\_ORG\_07.06.11

# DC Wiring

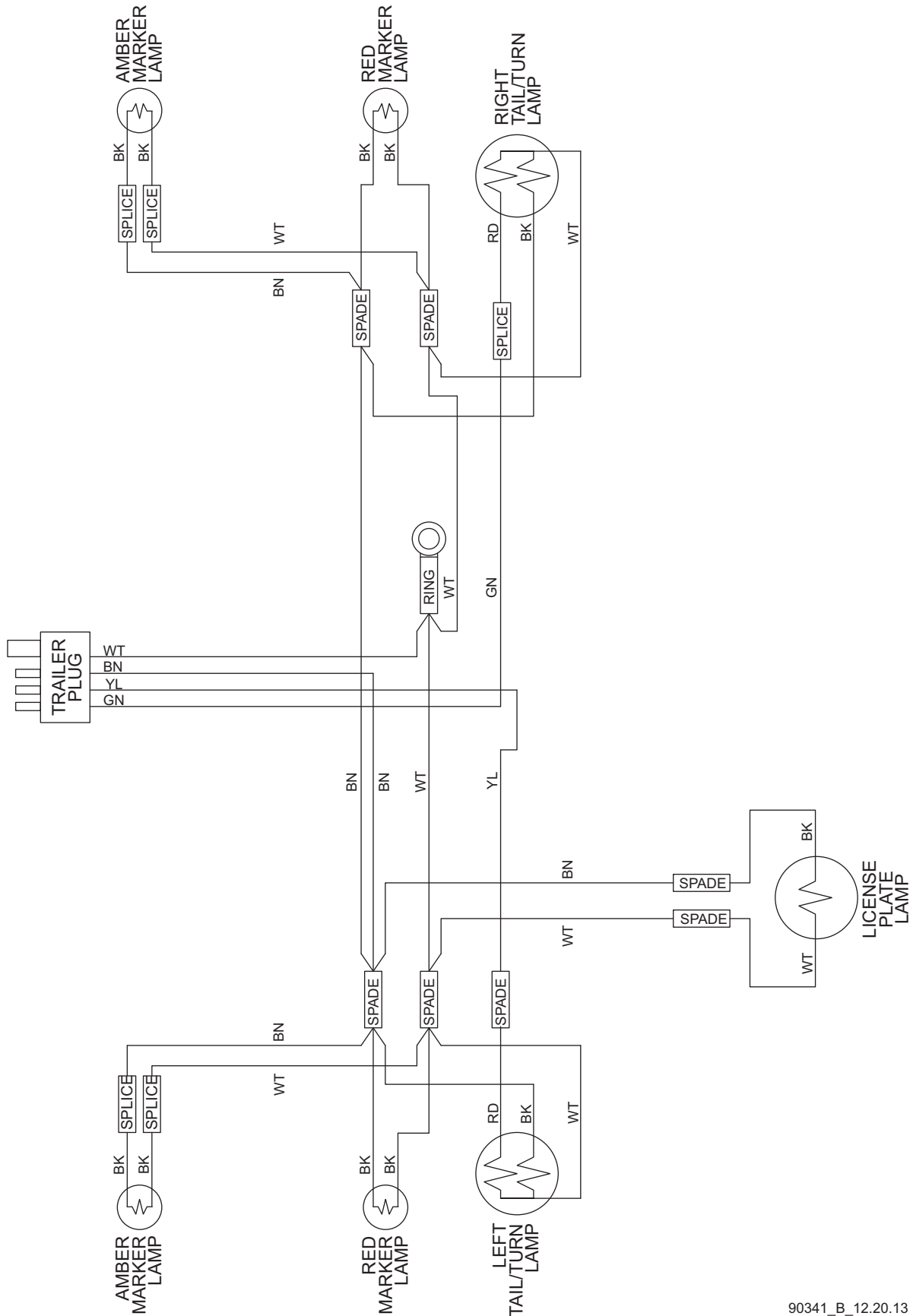


NOTES:  
 1) All wiring is 18AWG unless specified.

# DC Wiring—Options (If Equipped)

|   |   |
|---|---|
| <p>EDISON PLUG</p> <p>BATTERY CHARGER</p> <p>12 V BATTERY</p>   | <p>HEATED FUEL FILTER</p> <p>25A FUSE</p> <p>12 V BATTERY</p> <p>STARTER SWITCH</p> <p>TIME DELAY</p> |
| <p>POSITIVE AIR SHUTDOWN 6-20kW</p> <p>12 V BATTERY</p> <p>CIRCUIT BREAKER 20A</p> <p>PASS</p> <p>RPM SENSOR</p> <p>ESTOP</p> <p>SOLENOID</p> | <p>BATTERY DISCONNECT</p> <p>12 V BATTERY</p>   |
| <p>LOW FUEL SHUTDOWN</p> <p>12 V BATTERY</p> <p>TIME DELAY</p> <p>WT/VT</p>   | <p>INTERIOR LIGHT</p> <p>12 V BATTERY</p> <p>FUSE 10A</p> <p>STARTER SWITCH</p> <p>LIGHT</p>          |

# Trailer Lights



90341\_B\_12.20.13



**This page intentionally left blank.**

**This page intentionally left blank.**



Part No. A0000100008 Rev. A 07/22/2019

©2019 Generac Mobile Products, LLC

All rights reserved.

Specifications are subject to change without notice.

No reproduction allowed in any form without prior written consent from Generac Mobile Products, LLC.

**GENERAC** | **MOBILE**

Generac Mobile Products, LLC  
215 Power Drive, Berlin, WI 54923

[GeneracMobileProducts.com](http://GeneracMobileProducts.com) | 800-926-9768 | 920-361-4442